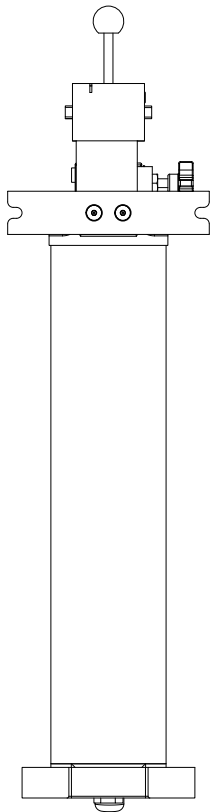
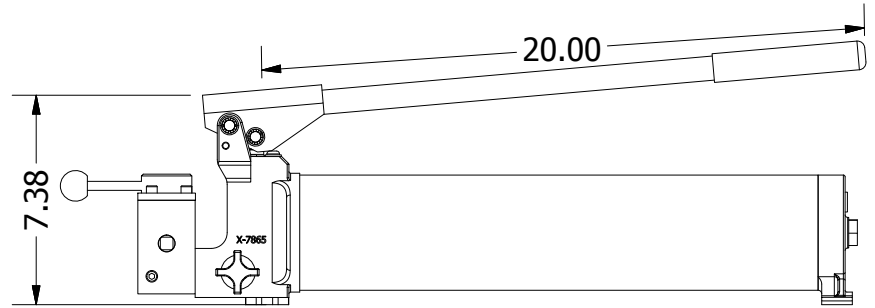
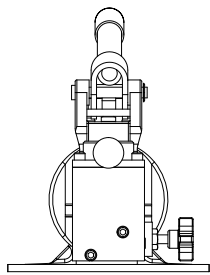
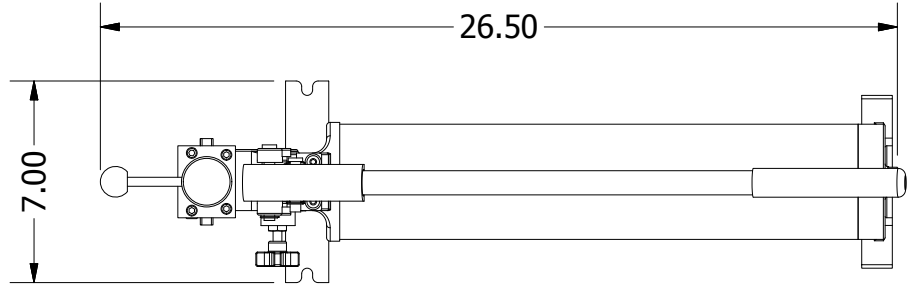


2

1



THIS DRAWING IS THE PROPERTY OF RAM-PAC INT'L AND IS NOT TO BE USED IN ANY MANNER DETRIMENTAL TO THEIR INTEREST

**RAM-PAC, INT'L.**  
 15600 W. LINCOLN AVE.  
 NEW BERLIN, WI 53151

**TITLE: HP-150-V**

**REVISION: -**

**EST WT: 32 LBS**

2

1

2

1

B

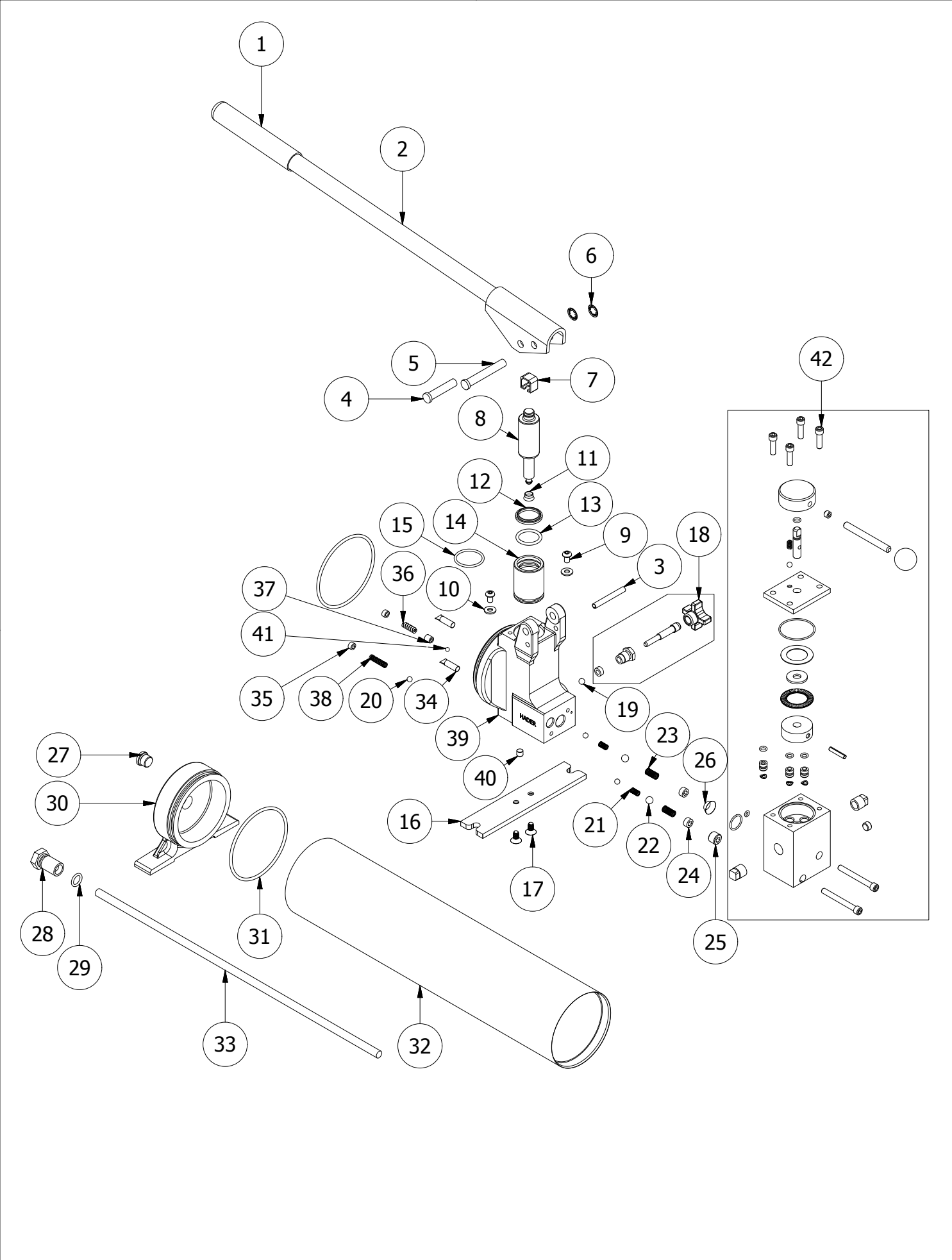
B

A

A

2

1



## REBUILD KIT: X7877

| ITEM | QTY | PART NUMBER | DESCRIPTION                      |
|------|-----|-------------|----------------------------------|
| 1    | 1   | 9960-0875   | HAND PUMP GRIP                   |
| 2    | 1   | X-7138-1-A  | SOCKET & HANDLE ASSY             |
| 3    | 1   | 7912-4495   | ROLL PIN .25 DIA X 2.0           |
| 4    | 1   | X-6414-1    | PIVOT PIN                        |
| 5    | 1   | X-6414-4    | PIVOT PIN                        |
| 6    | 2   | X-6415-1    | PUSH-ON RET. RING (5115 037.010) |
| 7    | 1   | X-6404F     | PUMP CLIP                        |
| B 8  | 1   | X-7867      | PLUNGER                          |
| 9    | 2   | H-2963      | BHCS                             |
| 10   | 2   | 2360116     | WASHER                           |
| 11   | 1   | X-7011-3    | U-CUP                            |
| 12   | 1   | X-6907-7    | WIPER RINGS                      |
| 13   | 1   | X-6477-2    | O-RING 1.25 X .984 X .139CS      |
| 14   | 1   | X-7866      | BRONZE BUSHING                   |
| 15   | 1   | X-6477-88   | O-RING                           |
| 16   | 1   | X-7868-HT   | MOUNTING STRAP                   |
| 17   | 2   | S-9-20      | FLAT HD MACHINE SCREW            |
| 18   | 1   | 81102-150   | BLEEDER STEM ASSEMBLY            |
| 19   | 1   | X-7873      | 9/32 BALL                        |
| 20   | 3   | 2540009     | BALL .25 DIA CHROME              |
| 21   | 2   | 9925-0000   | COMPRESSION SPRING               |
| 22   | 2   | X-6028      | 11/32 DIAMETER BALL              |
| 23   | 2   | X-6069-1    | DISCHARGE SPRING                 |
| 24   | 2   | X-6406      | SOCKET HEAD JAM SCREW            |
| 25   | 1   | 2470334     | SOCKET HEAD PIPE PLUG            |
| 26   | 1   | X-6483      | OIL FILTER SCREEN                |
| 27   | 1   | 2470332     | ALLEN HD PIPE PLUG SAE #6        |
| 28   | 1   | X-7060      | CONNECTING PLUG                  |
| 29   | 1   | X-6477-46   | O-RING                           |
| 30   | 1   | X-7059      | END CAP                          |
| 31   | 2   | X-6477-53   | O-RING                           |
| A 32 | 1   | X-7058      | RESERVOIR TUBE                   |
| 33   | 1   | X-7061      | CONNECTING ROD                   |
| 34   | 2   | 221318      | INTAKE FILTER                    |
| 35   | 2   | H-2985      | SOCKET HEAD JAM SCREW            |
| 36   | 1   | 9925-0002   | SPRING COMPRESSION               |
| 37   | 1   | 1642-9602   | SPRING CAP                       |
| 38   | 1   | X-6425      | BY PASS SPRING (LP)              |
| 39   | 1   | X-7865-1    | PUMP BODY MACHINED               |
| 40   | 1   | 2470329     | PIPE PLUG                        |
| 41   | 1   | 9904-0190   | 3/16 CHECK BALL                  |
| 42   | 1   | X-7865-1-A  | VALVE SUB-ASSEMBLY               |