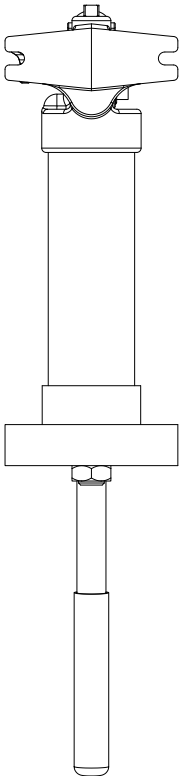
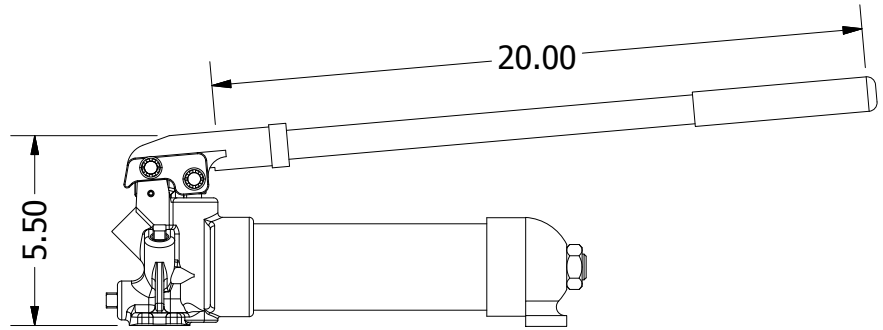
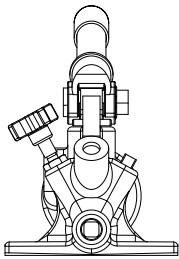
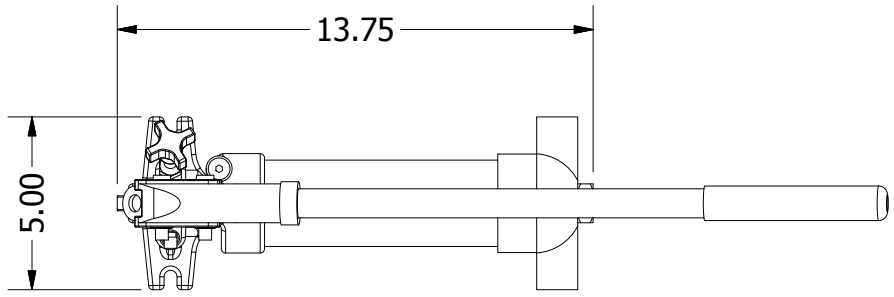


2

1

B

B



A

A

THIS DRAWING IS THE PROPERTY OF RAM-PAC INT'L AND IS NOT TO BE USED IN ANY MANNER DETRIMENTAL TO THEIR INTEREST

RAM-PAC, INT'L.
 15600 W. LINCOLN AVE.
 NEW BERLIN, WI 53151

TITLE: HP-35

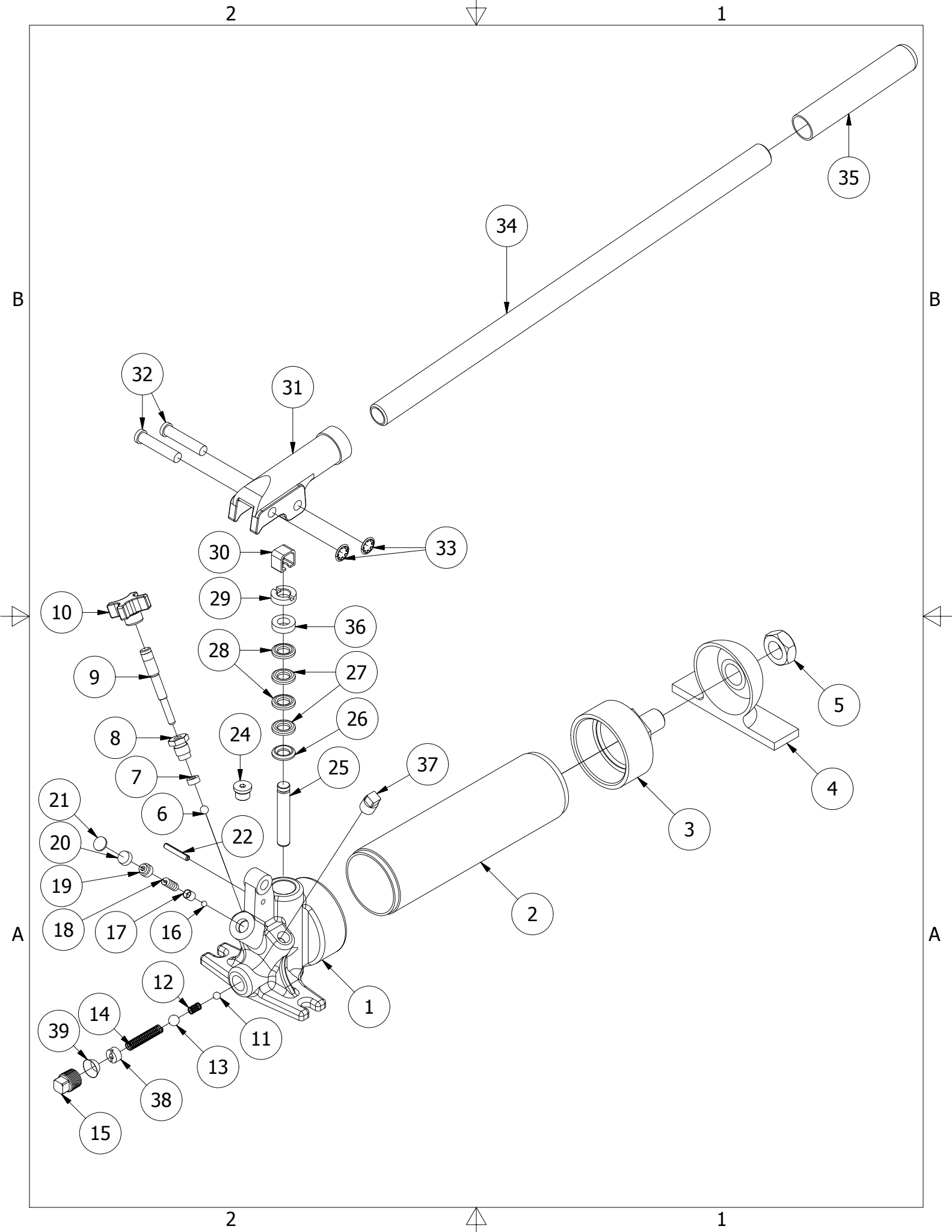
REVISION: -

EST WT: 9 LBS

2

1





REBUILD KIT: 81083

ITEM	QTY	PART NUMBER	DESCRIPTION
1	1	1642-1003	PUMP BASE
2	1	1642-1400-3	RESERVOIR TUBE
3	1	1642-9601	RESERVOIR CAP
4	1	1642-9600	REAR SUPPORT
5	1	8533-7002	HEX JAM NUT .75-16
6	1	X-7873	9/32 BALL
7	1	1000-3400	RELEASE VALVE PACKING
8	1	1642-1100	RELEASE PACKING NUT
9	1	1642-1901	RELEASE SCREW
10	1	9960-0375	RELEASE KNOB
11	1	2540009	BALL .25 DIA CHROME
12	1	9925-0000	COMPRESSION SPRING
13	1	2540004	BALL .375 DIA
14	1	9925-0001	SPRING
15	1	2470172	FITTING PLUG
16	1	9904-0190	3/16 CHECK BALL
17	1	1642-9602	SPRING CAP
18	1	9925-0002	SPRING COMPRESSION
19	1	1642-1902	ADJUSTING SCREW
20	1	1000-3402	VALVE SEAL
21	1	9955-0500	CONCAVE EXPANSION PLUG
22	1	7306-3495	ROLL PIN .187 X 1.125
24	1	2470075	HOLLOW HEX PLUG 5HP50N
25	1	1642-1603	PISTON
26	1	7321-4210	MALE ADPTR PACKING
27	2	7111-4211	VEE PACKING RUBBER
28	2	7111-4210	VEE PACKING LEATHER .813 X .440
29	1	1642-1101	PACKING NUT
30	1	X-6404F	PUMP CLIP
31	1	1642-1202	HANDLE SOCKET
32	2	X-6414-1	PIVOT PIN
33	2	X-6415-1	PUSH-ON RET. RING (5115 037.010)
34	1	1642-2801	HANDLE
35	1	9960-0875	HAND PUMP GRIP
36	1	7321-4211	FEMALE ADAPTER
37	1	7816-1001	SQ. HD. PIPE PLUG .25-18 NPTF
38	1	1642-3201	PLUG
39	1	X-6483	OIL FILTER SCREEN