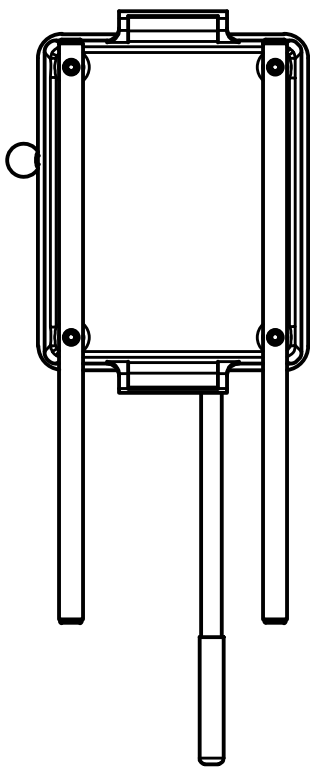
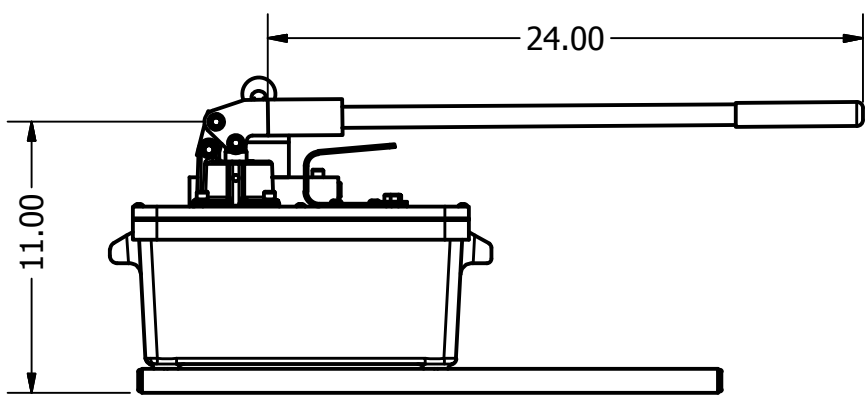
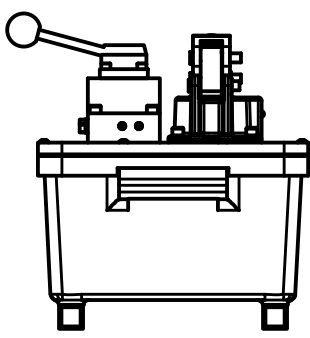
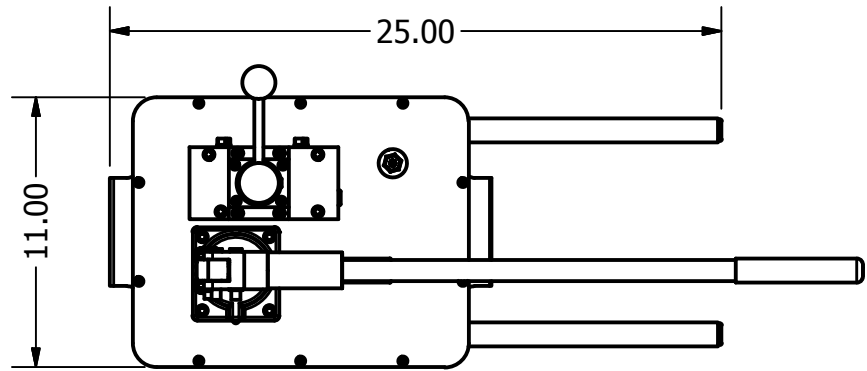


2

1



THIS DRAWING IS THE PROPERTY OF RAM-PAC INT'L AND IS NOT TO BE USED IN ANY MANNER DETRIMENTAL TO THEIR INTEREST

RAM-PAC, INT'L.
 15600 W. LINCOLN AVE.
 NEW BERLIN, WI 53151

TITLE: HP-520-4 HAND PUMP

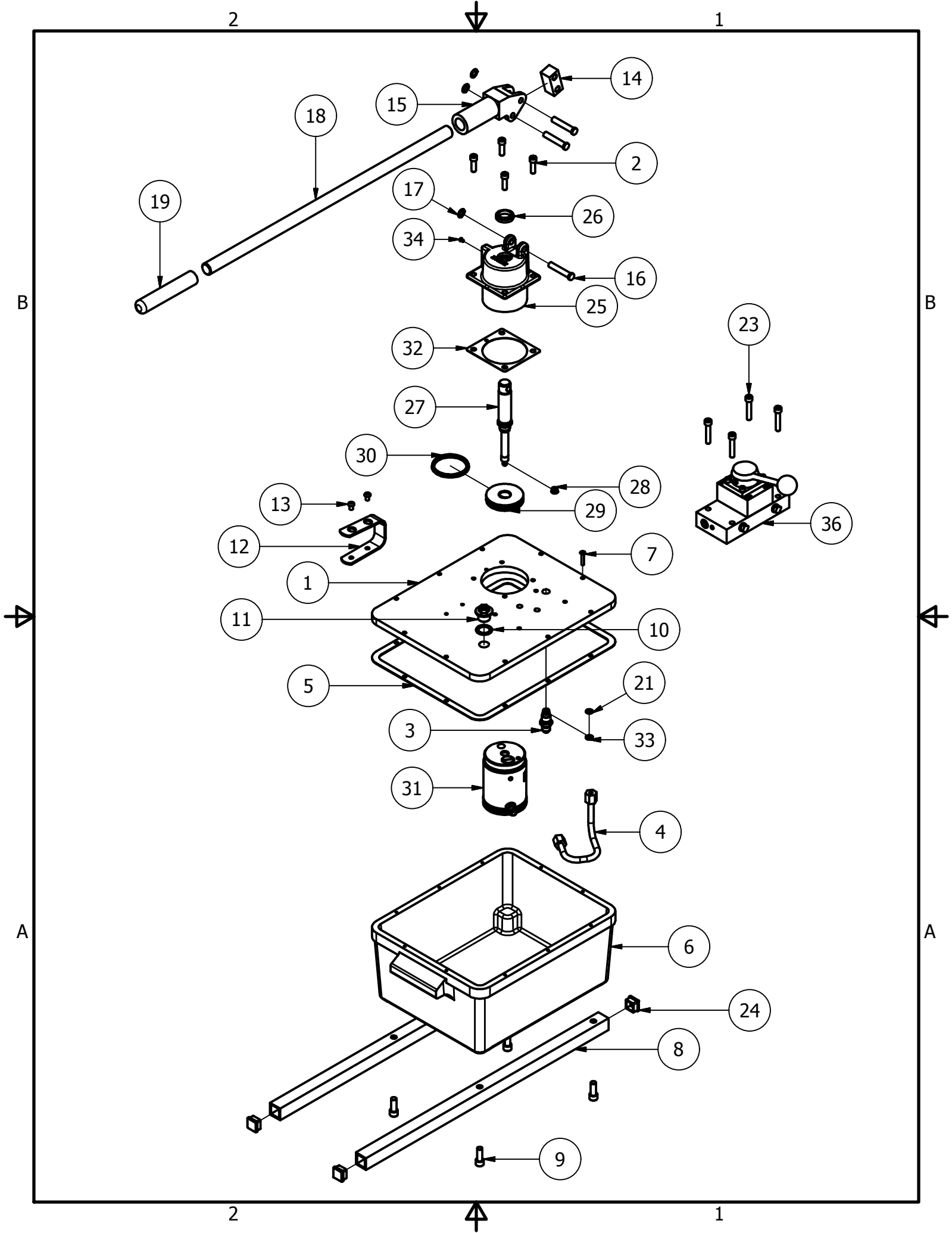
REVISION: -

EST WT: 71 LBS

2

1





2



1

B

B

ITEM	QTY	PART NUMBER	DESCRIPTION
1	1	X-7929	RESERVOIR COVER
2	4	2220556	SHCS .31-18 X 1.0
3	1	X-7512-1	CONNECTOR
4	1	X-7935-1	FLUID LINE TUBING
5	1	X7443	RESERVOIR GASKET
6	1	X-7931-1	2 GAL RESERVOIR
7	10	2220555	BHCS 10-24 X 1.0
8	2	X-7933	PUMP LEG
9	4	2220557	SHCS 3/8-16 X 1.00
10	1	X-7445	NYLON WASHER
11	1	X-7445-1	RESERVOIR PLUG - VENT
12	1	X-7934	HANDLE
13	2	H-2963	BHCS
14	1	X-7523	CONNECTING LINK
15	1	X-7521	SOCKET LEVER
16	3	X-6414-3	PIVOT PIN
17	3	X-6415-1	PUSH-ON RET. RING (5115 037.010)
18	1	X-7514	OPERATING LEVER
19	1	9960-0875	HAND PUMP GRIP
21	1	X-6477-57	O-RING .504 X .364 X .06 70D
23	4	2220554	SHCS .31-18 X 1.625
24	4	X-7563	END CAP (FITS 1X1 SQ TUBE)
25	1	X-7932	CYLINDER CAP
26	1	X-7528	WIPER SEAL PARKER H-875
27	1	X-7513	PLUNGER ROD
28	1	X-7011-3	U-CUP
29	1	X-7524	LARGE PISTON
30	1	X-7011-9	U-CUP
31	1	X-7538-A	PUMP SUBASSEMBLY
32	1	X-7936	PUMP GASKET
33	1	X-7878-10	BACK-UP RINGS
34	1	S-40-28	DRIVE SCREW
36	1	HV-4-1	4-WAY VALVE

A

A

2



1