

2

1

2.38

CLOSED 1.38 IN
EXTENDED 11.75 IN

6.88

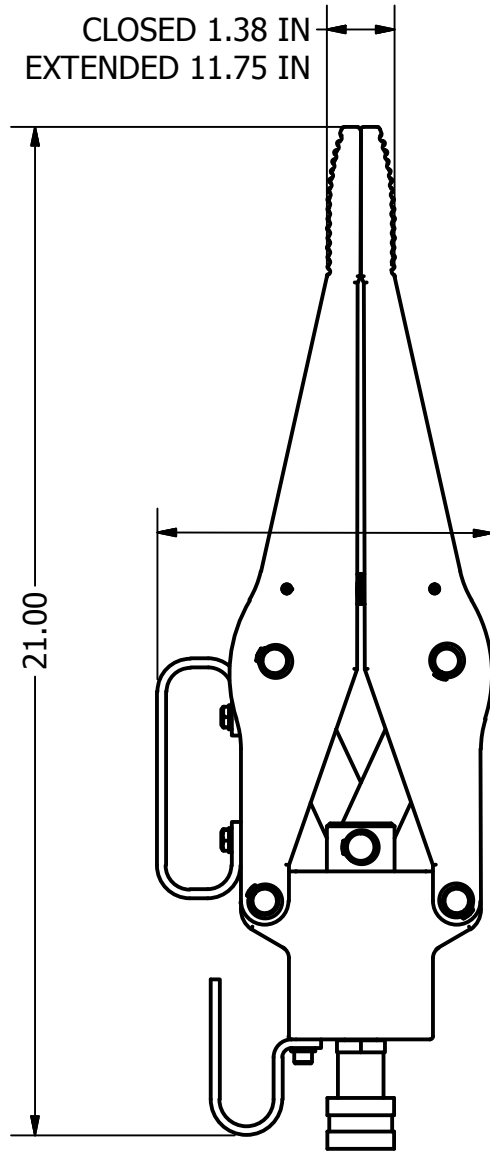
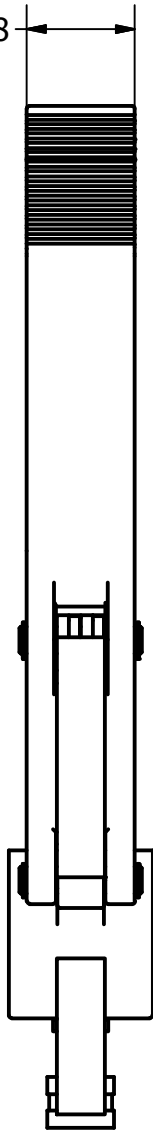
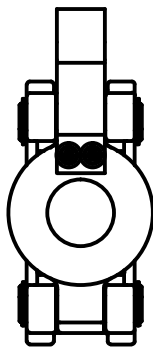
21.00

B

B

A

A



THIS DRAWING IS THE PROPERTY OF RAM-PAC INT'L AND IS NOT TO BE USED IN ANY MANNER DETRIMENTAL TO THEIR INTEREST

RAM-PAC, INT'L.
15600 W. LINCOLN AVE.
NEW BERLIN, WI 53151

TITLE: HS-1 SPREADER

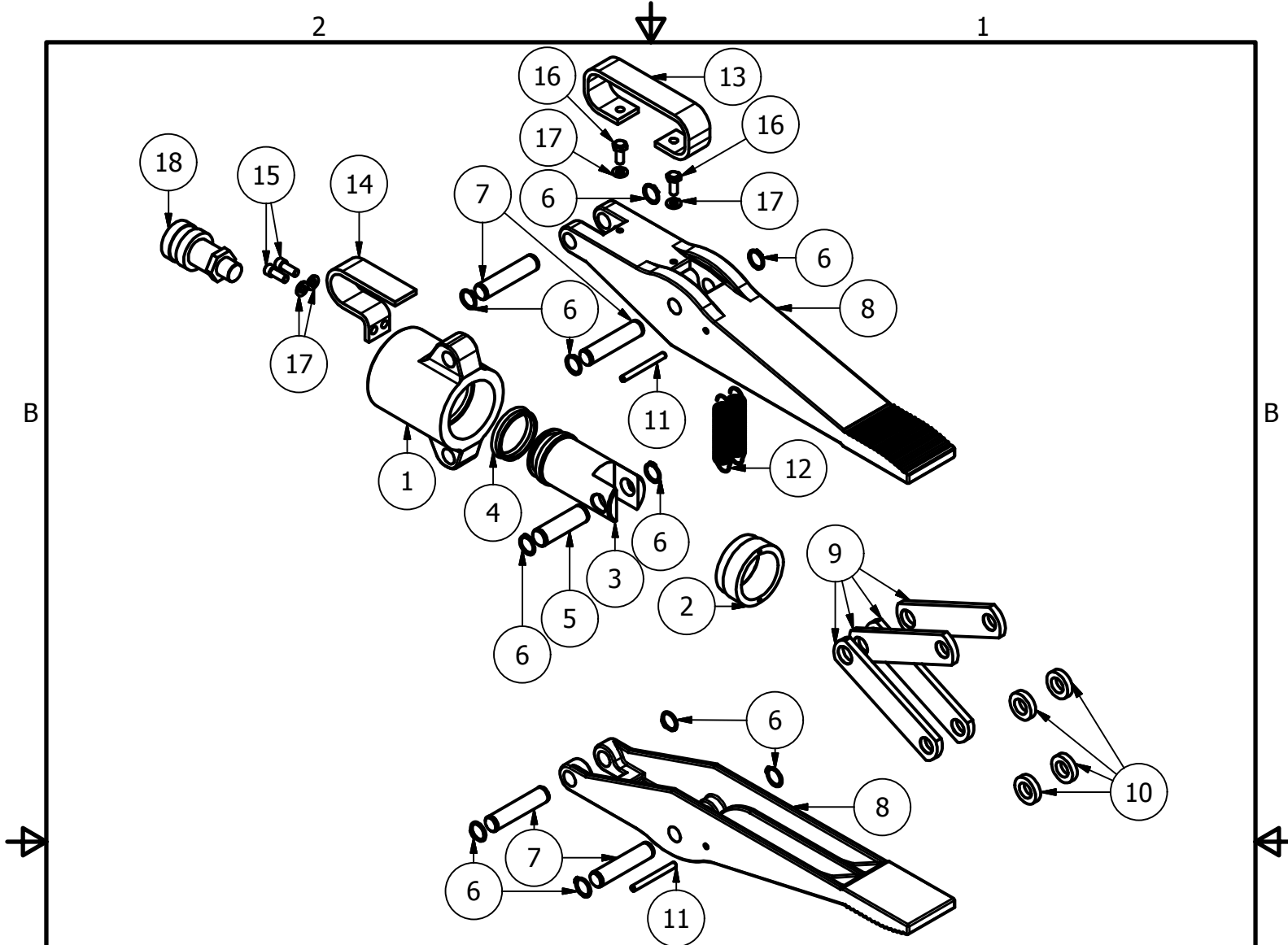
REVISION: -

EST WT: 23 LBS

2

1





ITEM	QTY	PART NUMBER	DESCRIPTION
1	1	X7848	RAM BODY
2	1	X-7963	GLAND
3	1	X7849	PLUNGER
4	1	X7011-12	U CUP
5	1	X7853-1	PLUNGER PIVOT PIN
6	10	H5558	RETAINING RING
7	4	X7853-2	ARM PIVOT PIN
8	2	X7847	HS SPREADER JAW
9	4	X7851	HS-1 LINK
10	4	X7854	SPACER
11	2	H5236	SPRING PIN
12	2	X7852	SPRING
13	1	X7855	CARRY HANDLE
14	1	X7850	CARRY HANDLE, BODY
15	2	8261-9102	SHCS 1/4 - 20 UNC-2A X .625
16	2	2220548	HHCS
17	4	2360040	LOCK WASHER
18	1	HA-18	COUPLER W/ DUST COVER