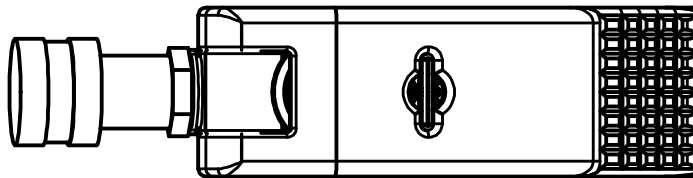


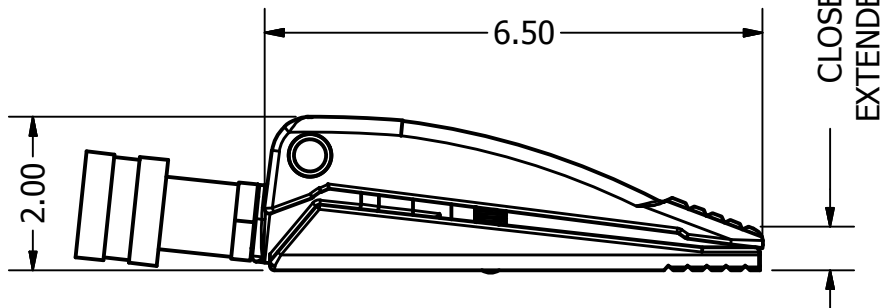
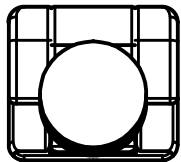
2

1



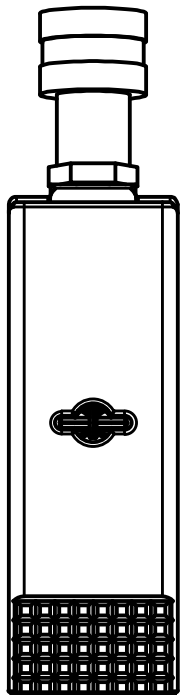
B

B



A

A



2

1

THIS DRAWING IS THE PROPERTY OF RAM-PAC INT'L AND IS NOT TO BE USED IN ANY MANNER DETRIMENTAL TO THEIR INTEREST

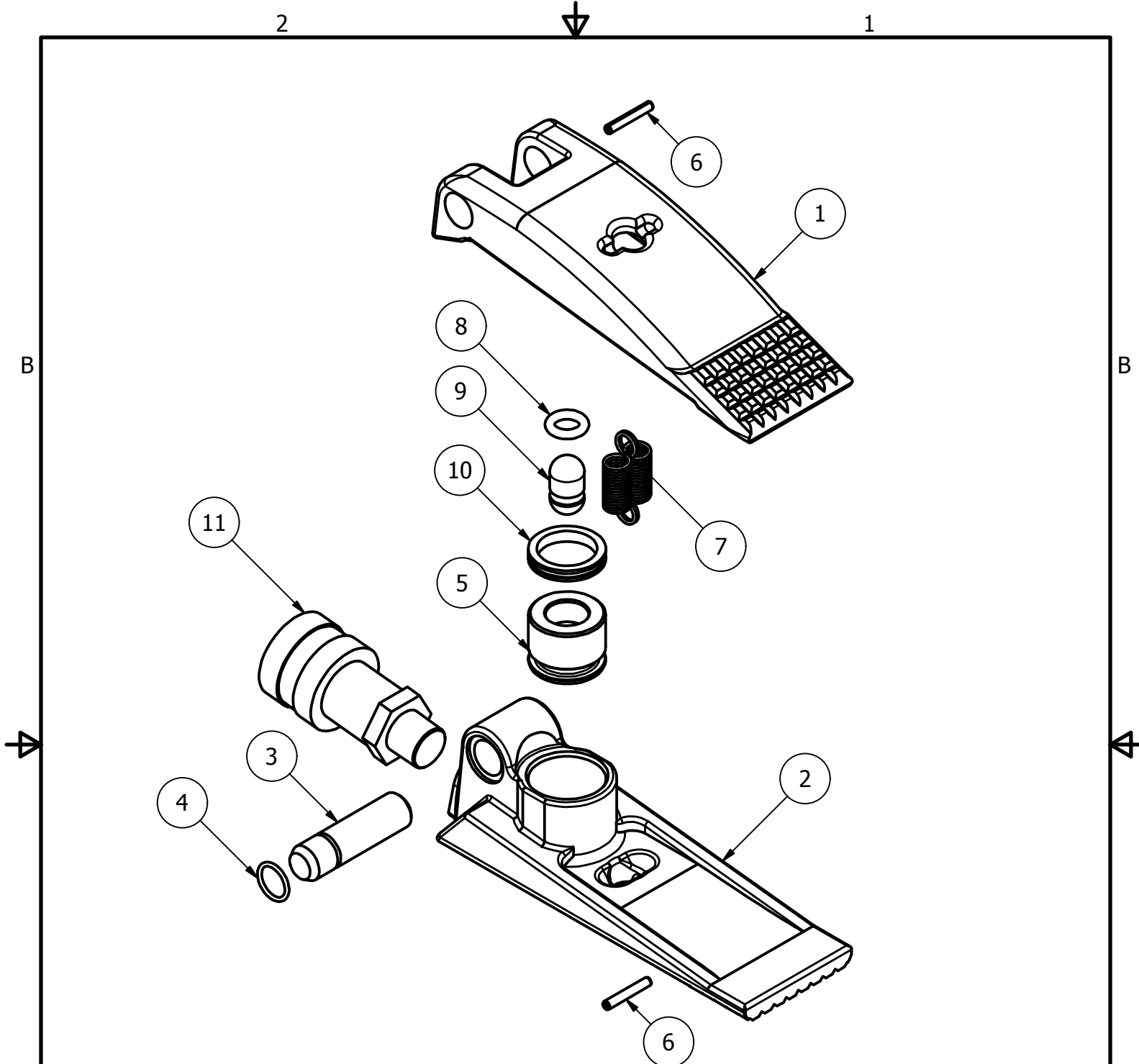
**RAM-PAC, INT'L.**  
 15600 W. LINCOLN AVE.  
 NEW BERLIN, WI 53151

TITLE: HW-1 SPREADER

REVISION: -

EST WT: 4 1/2 LBS

4



ITEM	QTY	PART NUMBER	DESCRIPTION
1	1	X-7950	TOP JAW
2	1	X-7951	HW-1 BOTTOM JAW
3	1	X-7952	FULCRUM PIN
4	1	H-5564	RETAINING RING
5	1	X-7955	PLUNGER PISTON
6	2	2460068	ROLL PIN
7	2	X-7953	SPRING
8	1	X-6477-92	O-RING
9	1	X7954	PIVOT PIN BULLET
10	1	X-6437-14	G.T. RING (PISTION TYPE)
11	1	HA-18	COUPLER W/ DUST COVER