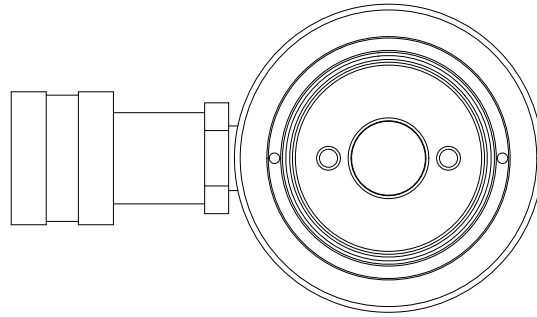
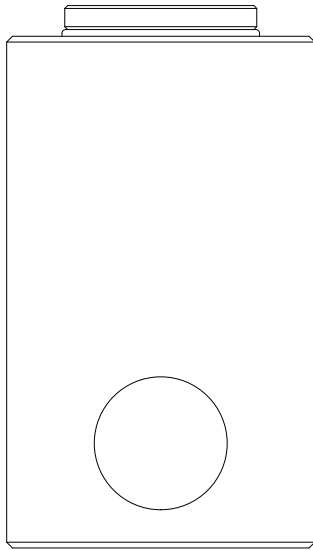


2

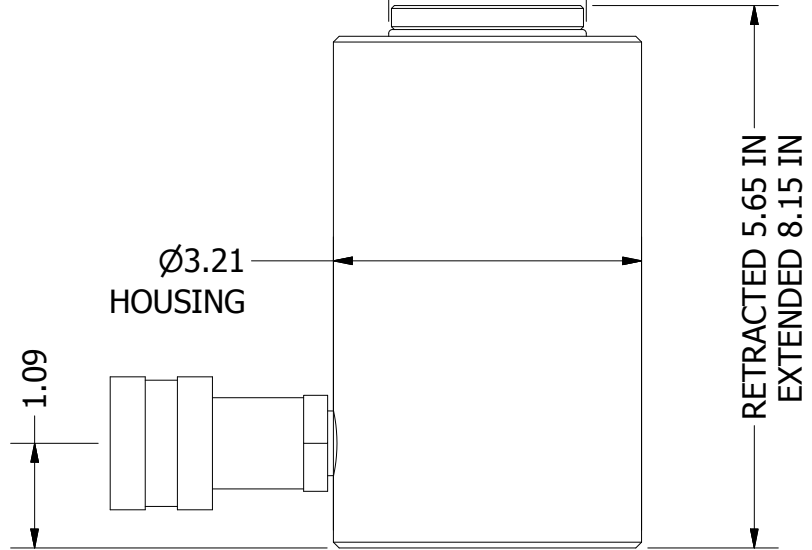
1

B

B



Ø2.06
ROD



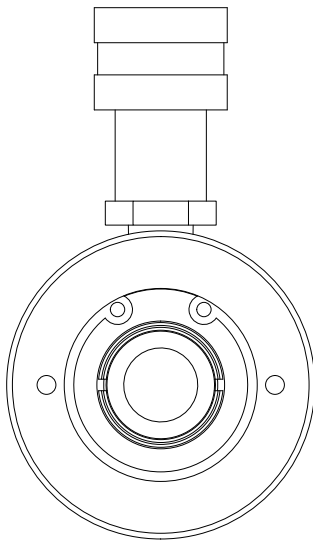
Ø3.21
HOUSING

RETRACTED 5.65 IN
EXTENDED 8.15 IN

1.09

A

A



2

1

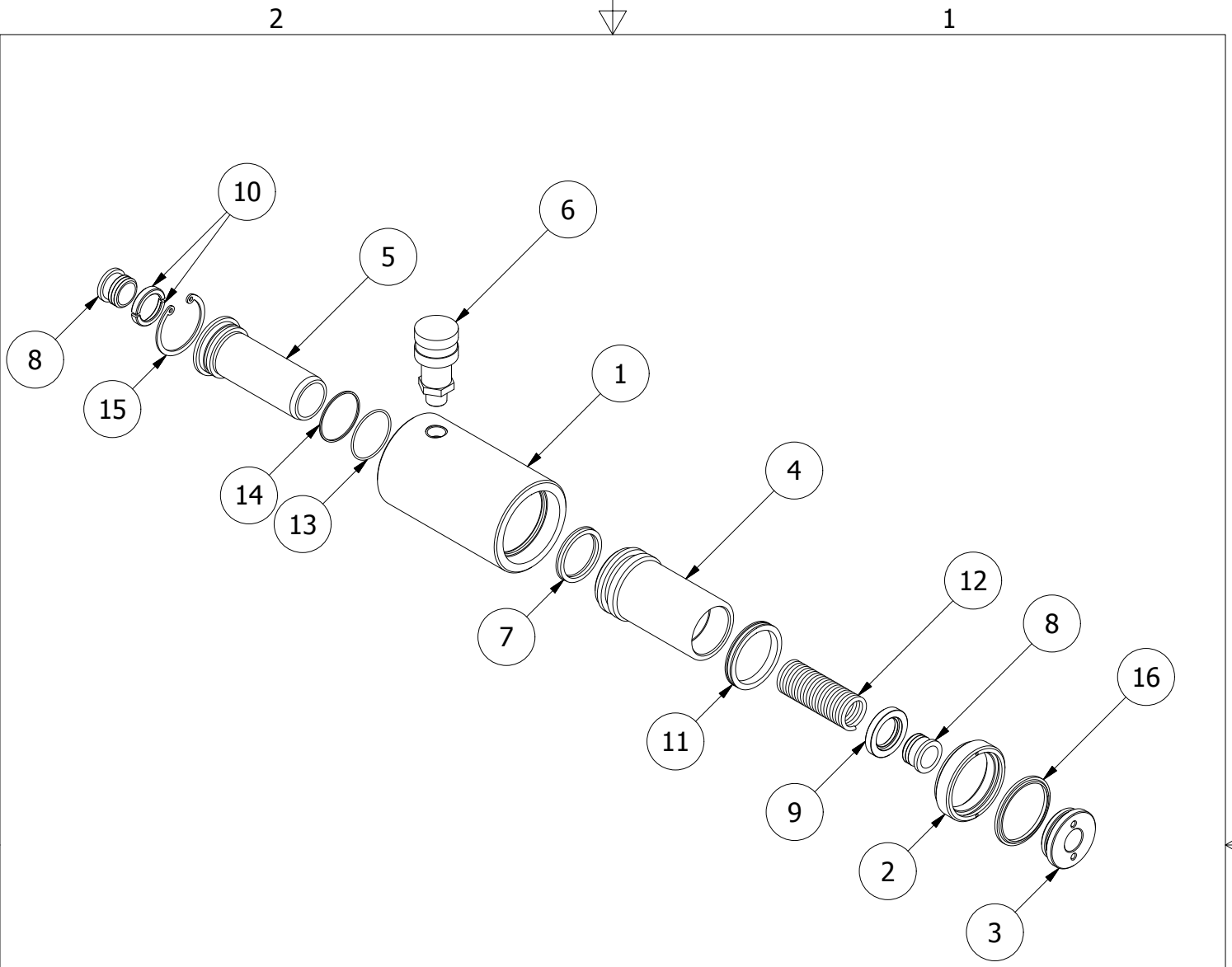
THIS DRAWING IS THE PROPERTY OF RAM-PAC INT'L AND IS NOT TO BE USED IN ANY MANNER DETRIMENTAL TO THEIR INTEREST

RAM-PAC, INT'L.
15600 W. LINCOLN AVE.
NEW BERLIN, WI 53151

TITLE: 10 TON CENTER HOLE

REVISION: -

EST WT: 10 LBS



REBUILD KIT: X7998

ITEM	QTY	PART NUMBER	DESCRIPTION
1	1	X-8183	CYLINDER HOUSING
2	1	X-8181	GLAND NUT
3	1	X-7027	SADDLE
4	1	X-8182	PLUNGER
5	1	X-7985	CENTER POST
6	1	HA-18	COUPLER W/ DUST COVER
7	1	X-7011-13	U-CUP 1.875X1.50X.1875
8	2	X-7980	SPRING RETAINER
9	1	X-7978	UPPER SPRING LOCK
10	2	X-7965	SPRING LOCK
11	1	X-6437-22	GT RING 2.25X1.875X.2812
12	1	X-7984	EXTENSION SPRING 1.14X3.0X.125
13	1	X-6477-40	O-RING 1.75 X 1.614 X .07 70D
14	1	X-7878-3	BACK-UP RING 1.645 X .049 X .055
15	1	2480069	RETAINING RING
16	1	X-6907-13	WIPER RING 2.372 X 2.208 X .104