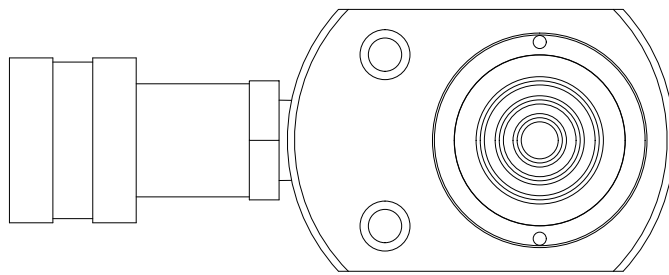


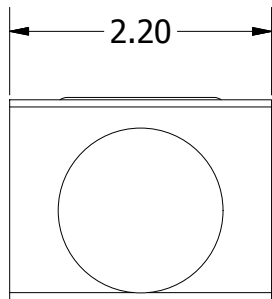
2

1

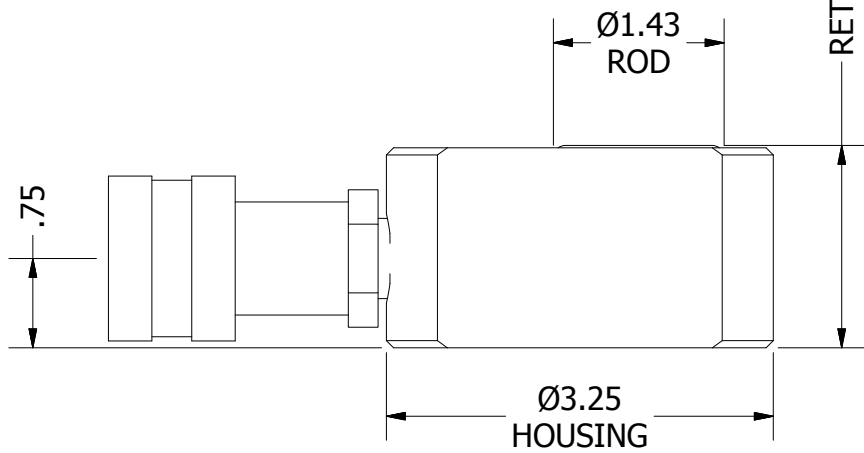


B

B



2.20



.75

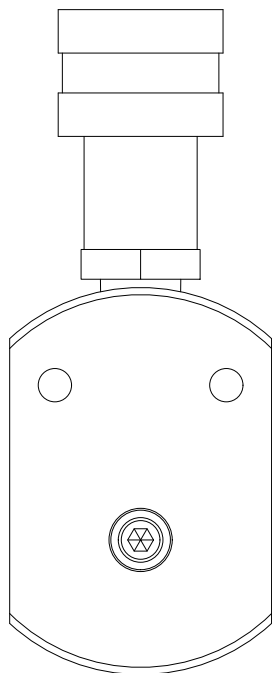
Ø1.43
ROD

RETRACTED 1.70 IN
EXTENDED 2.20 IN

Ø3.25
HOUSING

A

A



2

1

THIS DRAWING IS THE PROPERTY OF RAM-PAC INT'L AND IS NOT TO BE USED IN ANY MANNER DETRIMENTAL TO THEIR INTEREST

RAM-PAC, INT'L.
15600 W. LINCOLN AVE.
NEW BERLIN, WI 53151

TITLE: 10 TON 0.5 IN STROKE CYL

REVISION: -

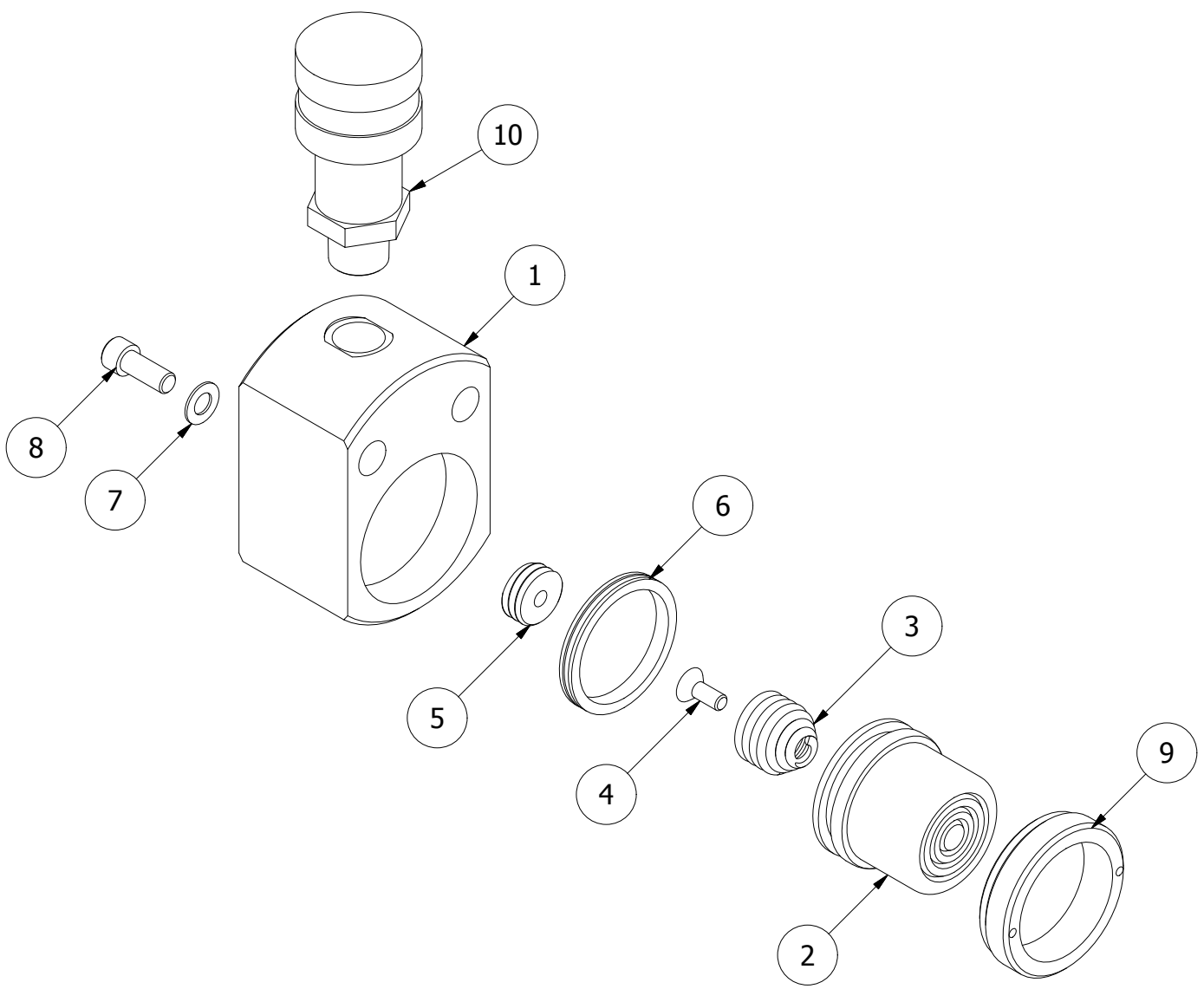
EST WT: 3.5 LBS

2

1

B

B



REBUILD KIT: X7802

RC-10-LP-.5 Parts List

A

A

ITEM	QTY	PART NUMBER	DESCRIPTION
1	1	X-7754	RAM BODY
2	1	X-9130	RAM PLUNGER
3	1	X-9128	SPRING
4	1	2220663	FLAT SOC HD #10-24 X .375
5	1	X-9129	SPRING RETAINER
6	1	X-6437-1	G.T. RING (PISTION TYPE)
7	1	X-7415-8	COPPER GASKET
8	1	8261-9102	SHCS 1/4 - 20 X .625
9	1	X-7753	GLAND NUT
10	1	HA-18	COUPLER W/ DUST COVER

2

1

