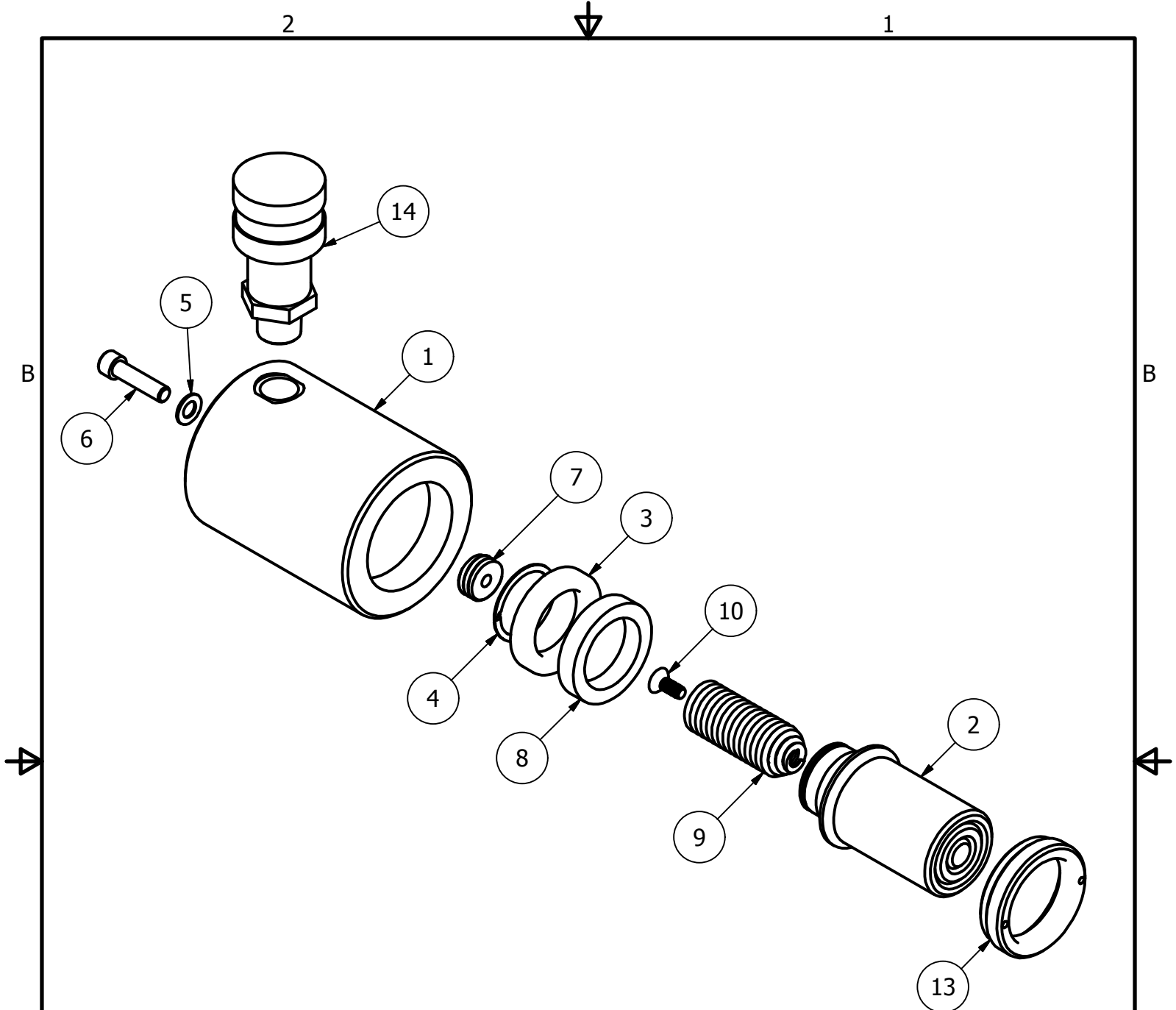


THIS DRAWING IS THE PROPERTY OF RAM-PAC INT'L AND IS NOT TO BE USED IN ANY MANNER DETRIMENTAL TO THEIR INTEREST

<p><b>RAM-PAC, INT'L.</b>          15600 W. LINCOLN AVE.          NEW BERLIN, WI 53151</p>	
TITLE:	10 TON 1.5 STROKE CYL
REVISION:	-
EST WT:	6 LBS



RC-10-SA-1.5 Parts List

ITEM	QTY	PART NUMBER	DESCRIPTION
1	1	X-9134	CYLINDER HOUSING
2	1	X-9133	PLUNGER
3	1	X-9135	BEARING
4	1	2480156	SNAP RING
5	1	X-7415-8	COPPER GASKET
6	1	2220551	SHCS 1/4 - 20 X 1.00
7	1	X-9129	SPRING RETAINER
8	1	2160854	U-CUP
9	1	X-9137 ASSY	EXTENSION SPRING
10	1	2220474	FHCS 10-24 X .50
13	1	X-9530	GLAND NUT
14	1	HA-18	COUPLER W/ DUST COVER