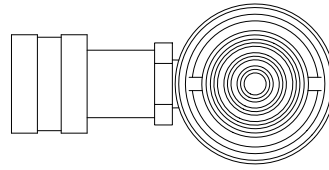


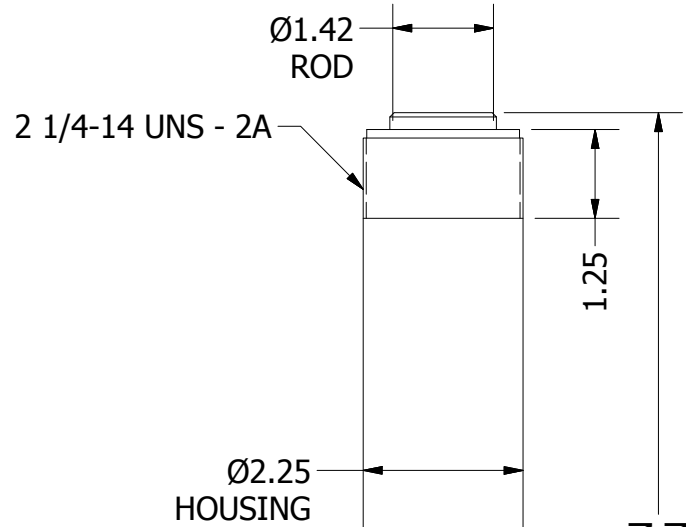
2

1



B

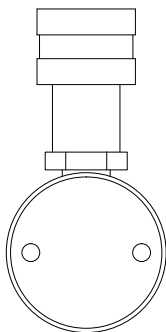
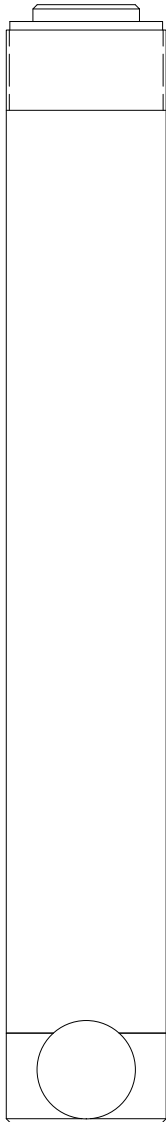
B



RETRACTED 15.74 IN
EXTENDED 27.74 IN

A

A



2

1

THIS DRAWING IS THE PROPERTY OF RAM-PAC INT'L AND IS NOT TO BE USED IN ANY MANNER DETRIMENTAL TO THEIR INTEREST

RAM-PAC, INT'L.
15600 W. LINCOLN AVE.
NEW BERLIN, WI 53151

TITLE: 10 TON 12 IN STROKE CYL

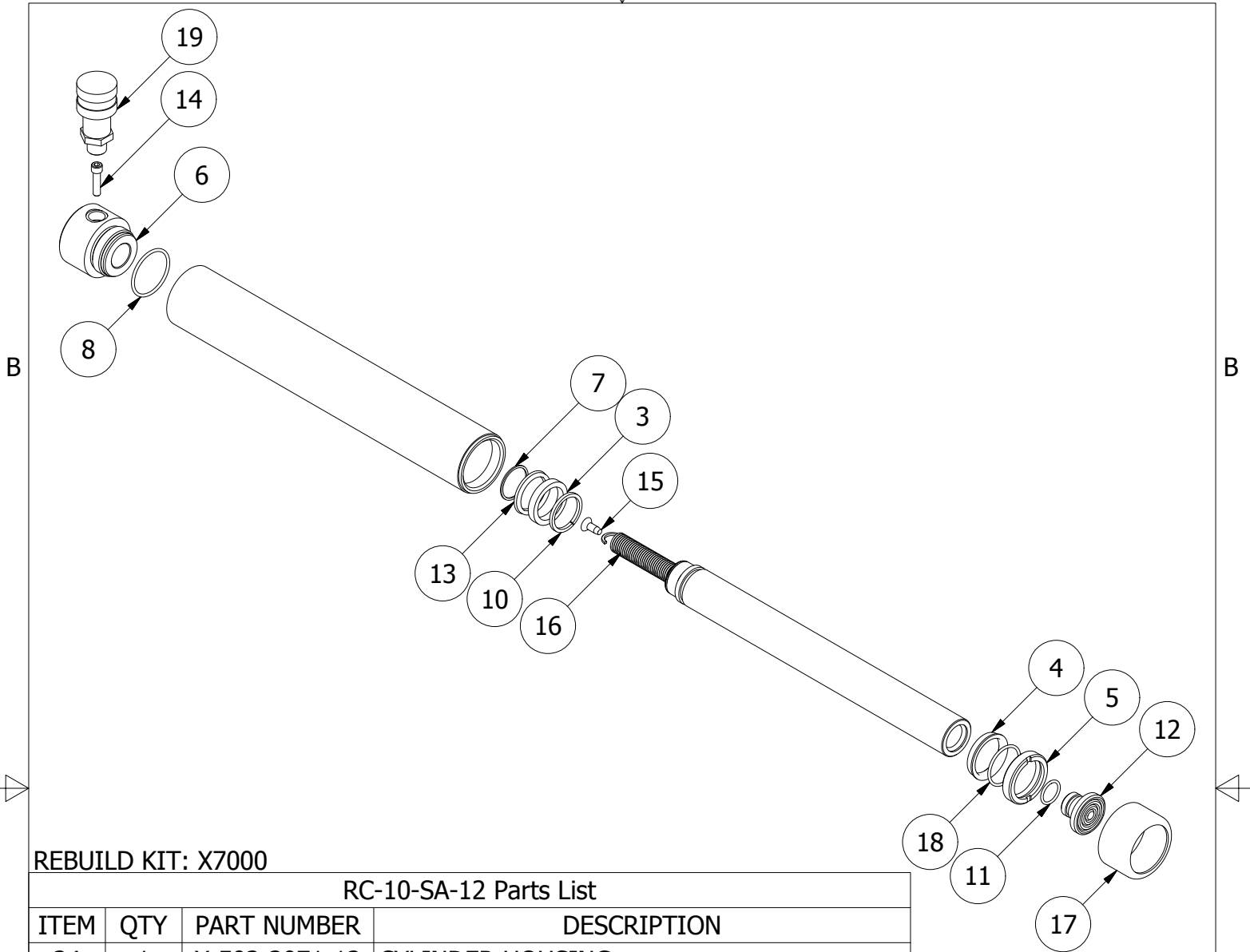
REVISION: -

EST WT: **15 LBS**

1

2

1



REBUILD KIT: X7000

RC-10-SA-12 Parts List

ITEM	QTY	PART NUMBER	DESCRIPTION
24	1	X-502-2071-12	CYLINDER HOUSING
30	1	X-1-1276-12	CYLINDER PLUNGER
3	1	X-58-37	BEARING
4	1	X-7-606	BUSHING
5	1	X-6-963	GLAND NUT
6	1	X-4-2086	CYLINDER BASE
7	1	X-9136	RETAINING RING
8	1	X-6477-17	O-RING
10	1	2480155	STOP RING
11	1	7511-3270	O-RING
12	1	1652-2304	SADDLE
13	1	2160883	U-CUP
14	1	2220551	SHCS 1/4 - 20 UNC-2A X 1.00
15	1	8321-9140	SELF TAPPING SCREW
16	1	9926-0001	EXTENSION SPRING
17	1	X-9389	THREAD PROTECTOR
18	1	2190140	O-RING
19	1	HA-18	COUPLER W/ DUST COVER

2

1