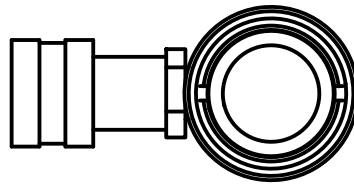


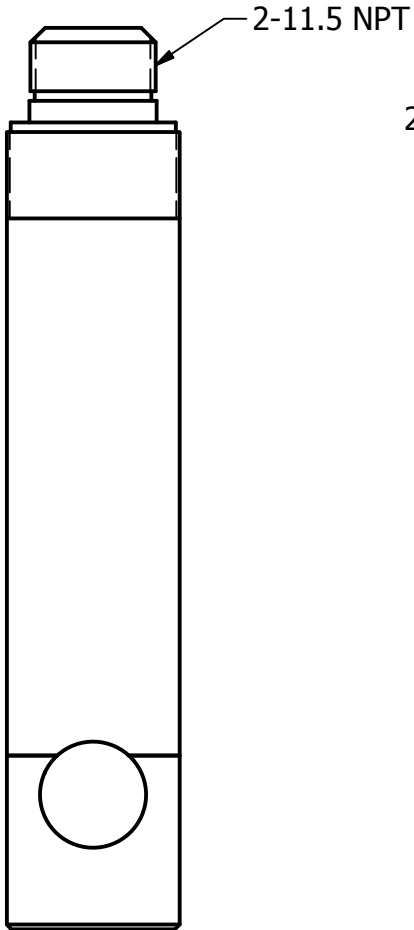
2

1



B

B



2-11.5 NPT

2 1/4-14 UNS - 2A

Ø1.42
ROD

Ø2.25
HOUSING

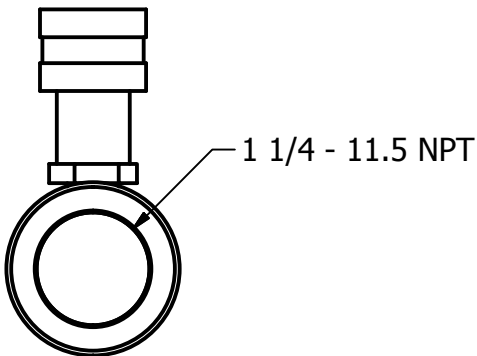
1.25

RETRACTED 11.74 IN
EXTENDED 17.74 IN

1.75

A

A



1 1/4 - 11.5 NPT

2

1

THIS DRAWING IS THE PROPERTY OF RAM-PAC INT'L AND IS NOT TO BE USED IN ANY MANNER DETRIMENTAL TO THEIR INTEREST

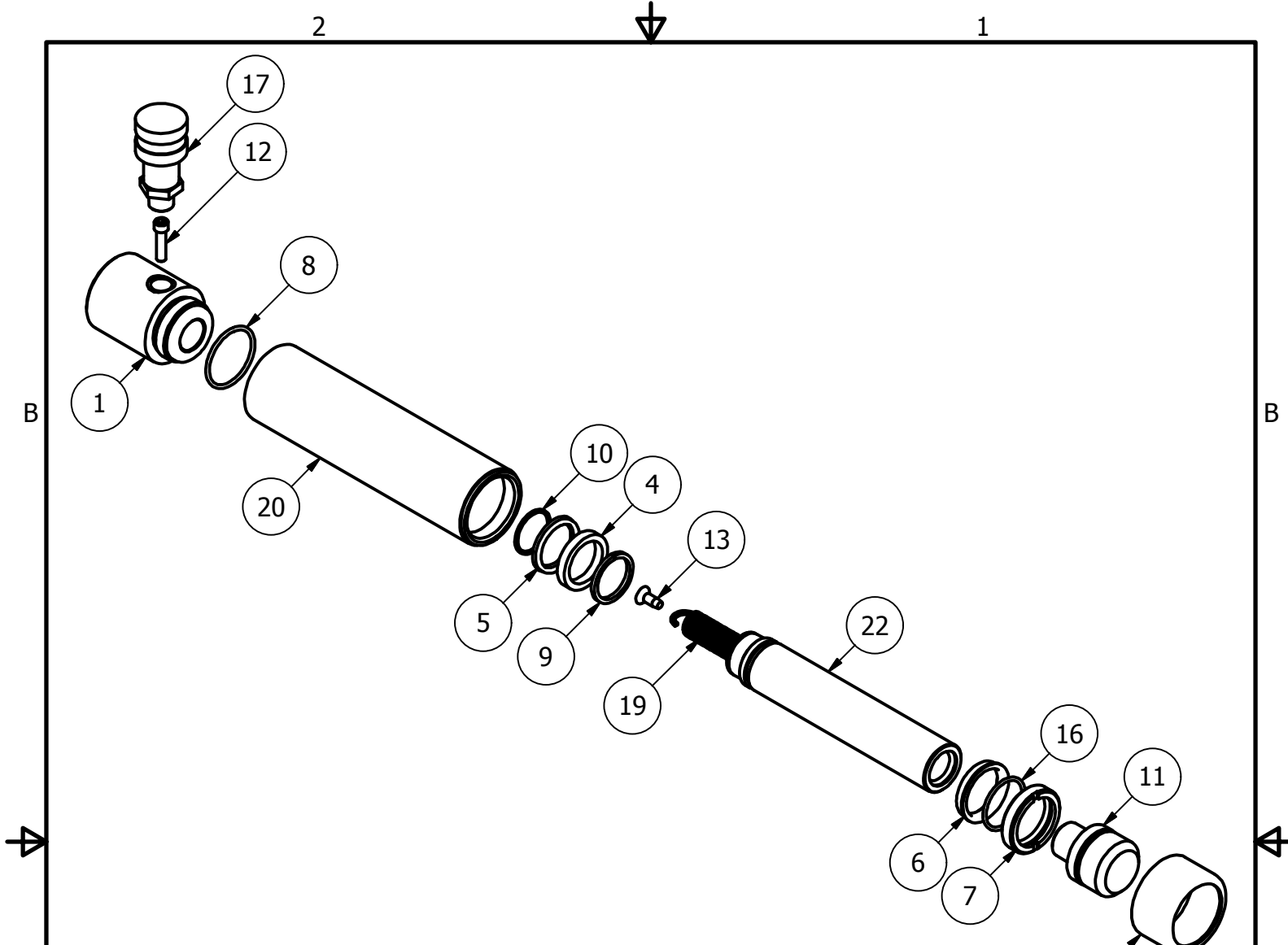
RAM-PAC, INT'L.
15600 W. LINCOLN AVE.
NEW BERLIN, WI 53151

TITLE: 10 TON 6 IN STRK AUTO CYL

REVISION: -

EST WT: 11 LBS

4



RC-10-SA-6A Parts List

ITEM	QTY	PART NUMBER	DESCRIPTION
1	1	X-4-2087	RAM BASE - AUTOMOTIVE
20	1	X-502-2071-6	CYLINDER HOUSING
22	1	X-1-1276-6	CYLINDER PLUNGER
4	1	X-58-37	BEARING
5	1	2160883	U-CUP
6	1	X-7-606	BUSHING
7	1	X-6-963	GLAND NUT
8	1	X-6477-17	O-RING
9	1	2480155	STOP RING
10	1	X-9136	RETAINING RING
11	1	1652-3700	10 TON THREADED ADAPTER
12	1	2220551	SHCS 1/4 - 20 X 1.00
13	1	8321-9140	SELF TAPPING SCREW
15	1	X-9389	THREAD PROTECTOR
16	1	2190140	O-RING
17	1	HA-18	COUPLER W/ DUST COVER
19	1	9926-0000	EXTENSION SPRING