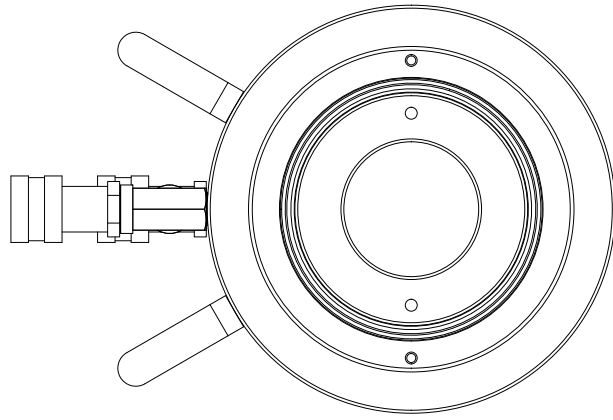


2

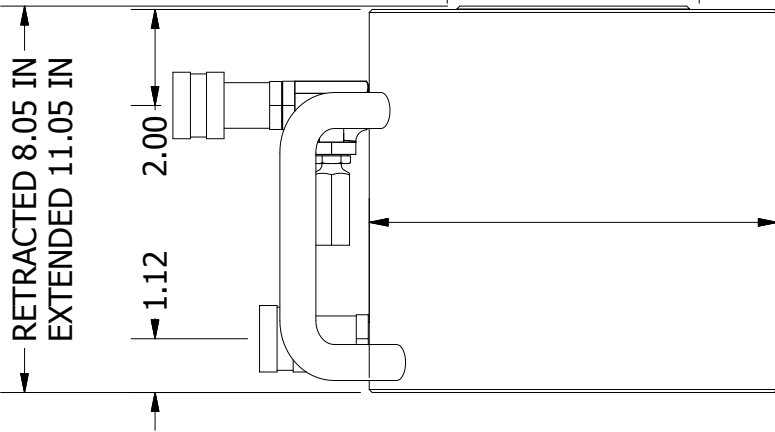
1

B

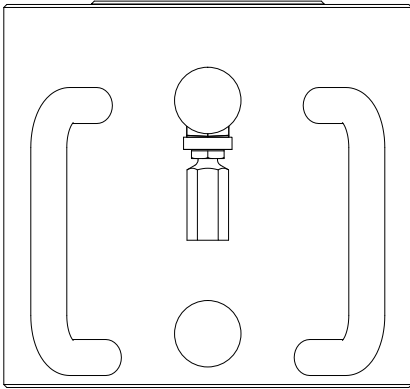
B



Ø5.25  
ROD

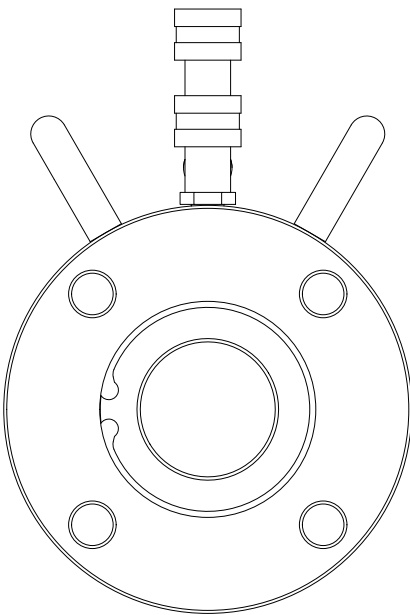


Ø8.50  
HOUSING



A

A



2

1

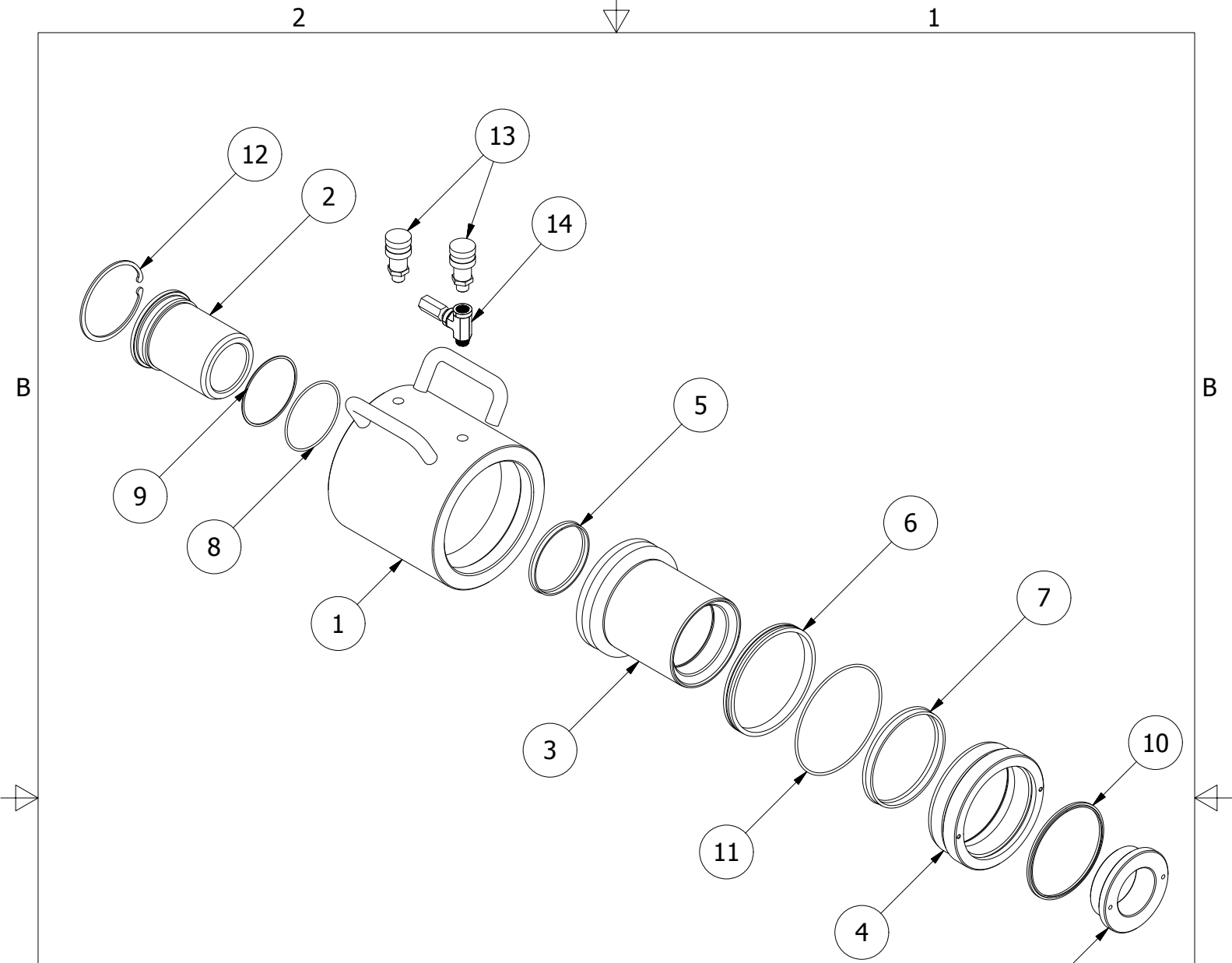
THIS DRAWING IS THE PROPERTY OF RAM-PAC INT'L AND IS NOT TO BE USED IN ANY MANNER DETRIMENTAL TO THEIR INTEREST

**RAM-PAC, INT'L.**  
15600 W. LINCOLN AVE.  
NEW BERLIN, WI 53151

TITLE: 100 TON 3 IN STRK CNTR HL

REVISION: -

EST WT: 102 LBS



REBUILD KIT: X7967

ITEM	QTY	PART NUMBER	DESCRIPTION
1	1	X-7856A	RAM BODY-HANDLE WELDMENT
2	1	X-7857	CENTER TUBE
3	1	X-7859	PLUNGER
4	1	X-7860	GLAND
5	1	X-7011-10	U-CUP
6	1	X-6437-20	G.T. RING (PISTION TYPE)
7	1	X-7011-11	U-CUP
8	1	2190054	O-RING 4.12 X 3.87 X .128 70D
9	1	X-7878-1	BACK-UP RINGS
10	1	X-6907-12	WIPER RING
11	1	X-6477-75	O-RING
12	1	H-5562	RETAINING RING
13	2	HA-18	COUPLER W/ DUST COVER
14	1	HRV-2	PRESSURE RELIEF VALVE
15	1	X7861	PLAIN TOP