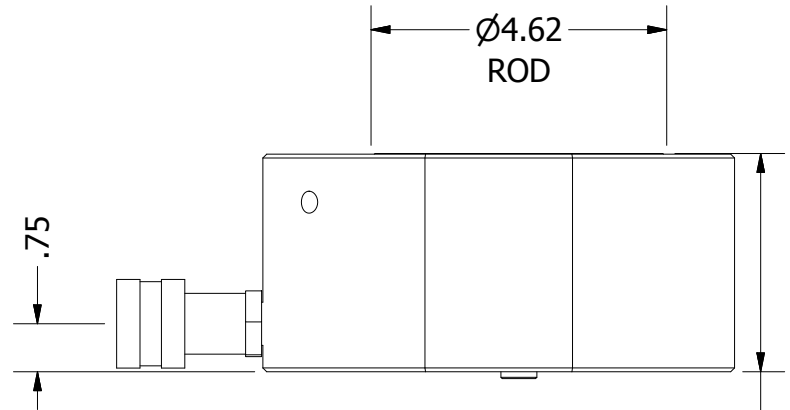
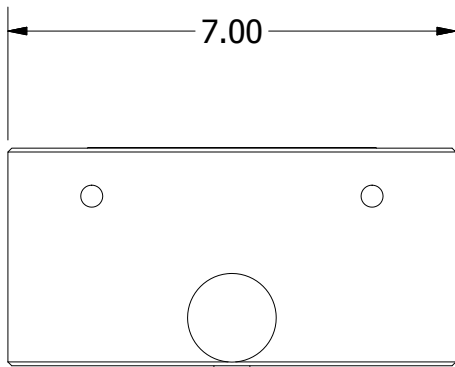
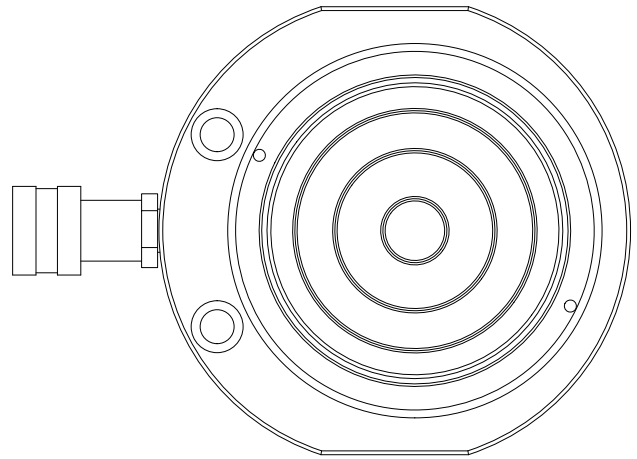


2

1

B

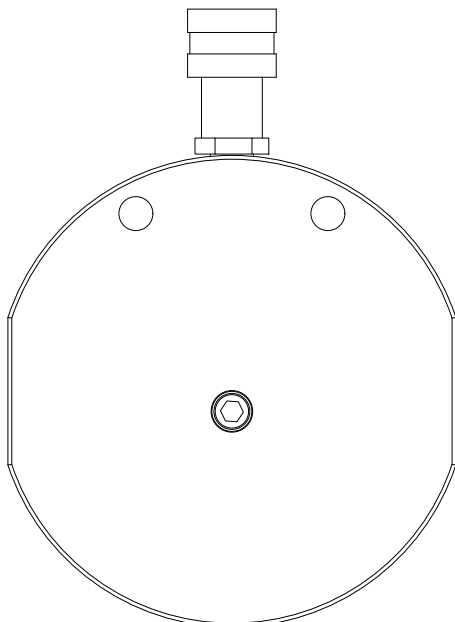
B



RETRACTED 3.41 IN
EXTENDED 3.91 IN

A

A



2

1

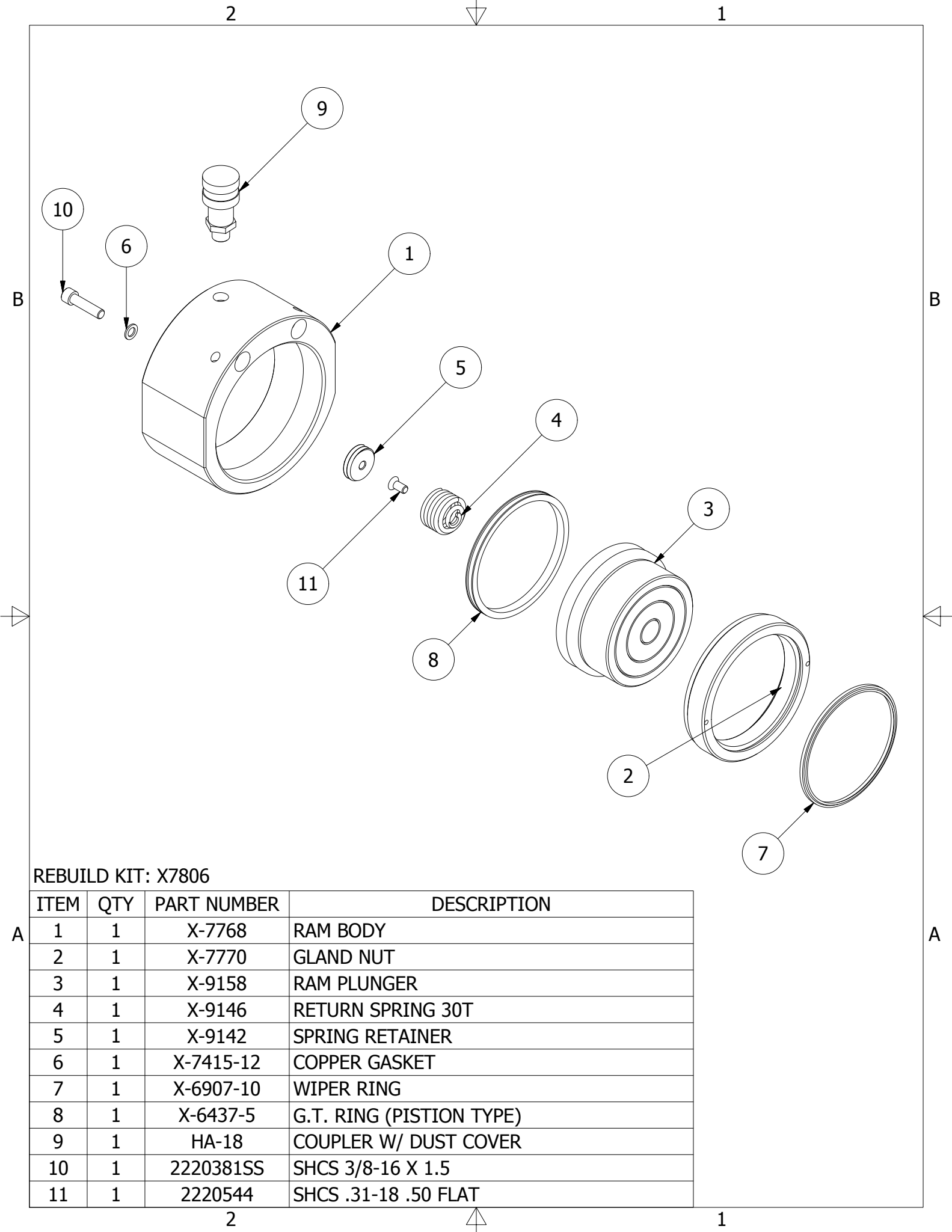
THIS DRAWING IS THE PROPERTY OF RAM-PAC INT'L AND IS NOT TO BE USED IN ANY MANNER DETRIMENTAL TO THEIR INTEREST

RAM-PAC, INT'L.
15600 W. LINCOLN AVE.
NEW BERLIN, WI 53151

TITLE: 100 TON .5 IN STROKE CYL

REVISION: -

EST WT: **40 LBS**



REBUILD KIT: X7806

ITEM	QTY	PART NUMBER	DESCRIPTION
1	1	X-7768	RAM BODY
2	1	X-7770	GLAND NUT
3	1	X-9158	RAM PLUNGER
4	1	X-9146	RETURN SPRING 30T
5	1	X-9142	SPRING RETAINER
6	1	X-7415-12	COPPER GASKET
7	1	X-6907-10	WIPER RING
8	1	X-6437-5	G.T. RING (PISTION TYPE)
9	1	HA-18	COUPLER W/ DUST COVER
10	1	2220381SS	SHCS 3/8-16 X 1.5
11	1	2220544	SHCS .31-18 .50 FLAT