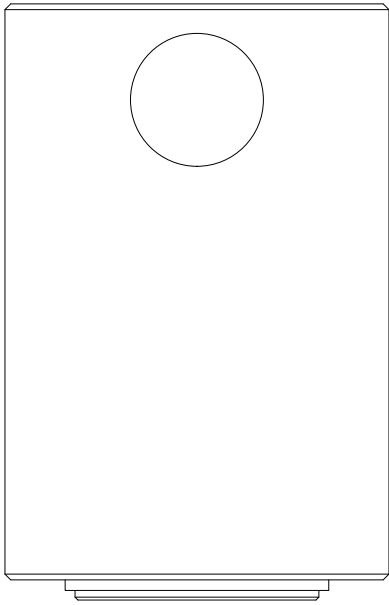


2

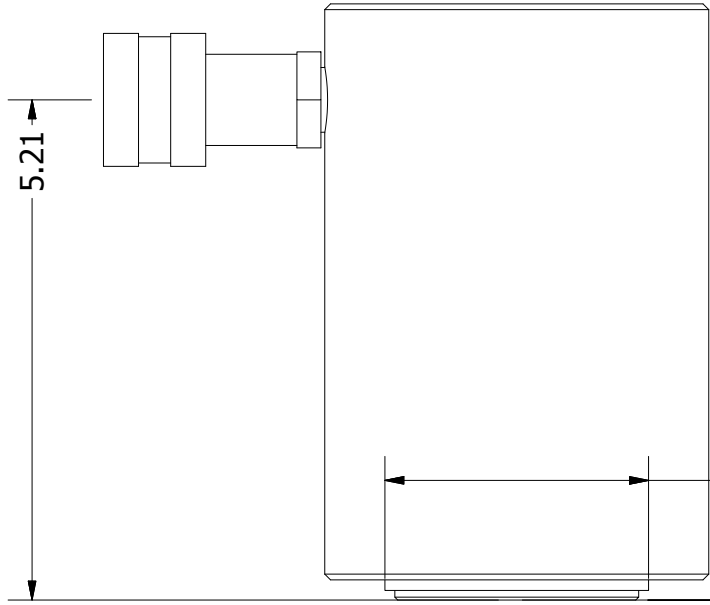
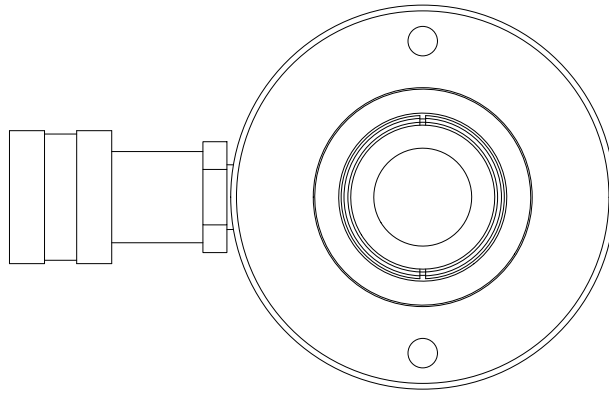
1

B

B



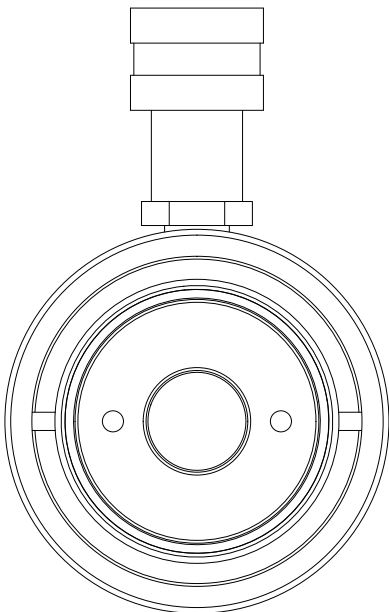
5.21



Ø2.75  
ROD

A

A



RETRACTED .00 IN  
EXTENDED 9.21 IN

THIS DRAWING IS THE PROPERTY OF RAM-PAC INT'L AND IS NOT TO BE USED IN ANY MANNER DETRIMENTAL TO THEIR INTEREST

**RAM-PAC, INT'L.**  
15600 W. LINCOLN AVE.  
NEW BERLIN, WI 53151

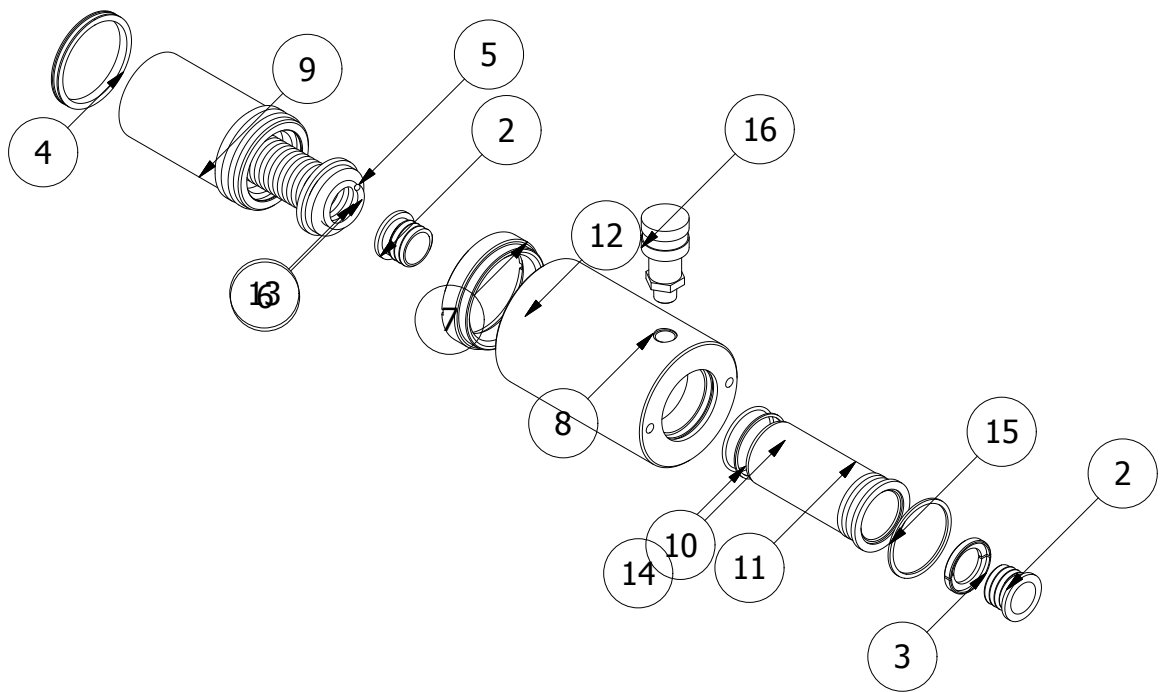
**TITLE: 20 TON CENTER HOLE**

**REVISION: -**

**EST WT: 19 LBS**

2

1



REBUILD KIT: X8000

ITEM	QTY	PART NUMBER	DESCRIPTION
1	1	X-8193	CYLINDER HOUSING
2	2	X-7993	SPRING RETAINER
3	1	X-7989	SPRING RETAINER COLLAR
4	1	X-6437-23	G.T. RING (PISTION TYPE)
5	1	X-7994	RETURN SPRING
6	1	X-7991	SPRING RETAINER RING
7	1	X-8191	GLAND NUT
8	1	X-8196	PLAIN SADDLE
9	1	X-8192	RAM PLUNGER
10	1	X-7878-5	BACK-UP RINGS
11	1	X-7995	CENTER TUBE
12	1	X-6907-4	WIPER RINGS
13	1	X7011-16	U-CUP
14	1	X-6477-89	O-RING 2.068 X 1.862 X .103
15	1	H-5561	RETAINING RING
16	1	HA-18	COUPLER W/ DUST COVER