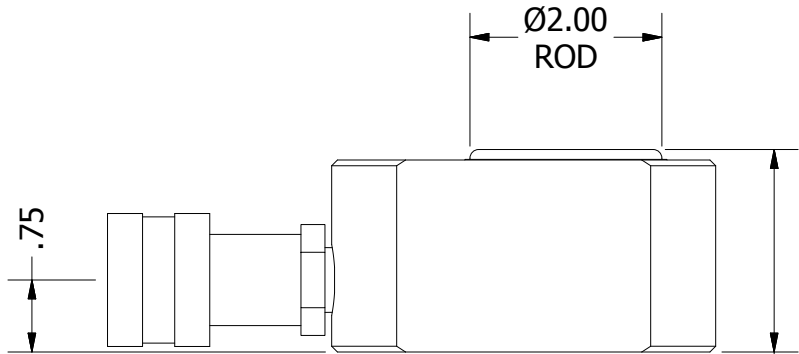
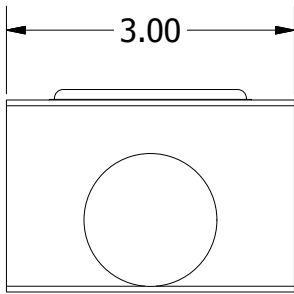
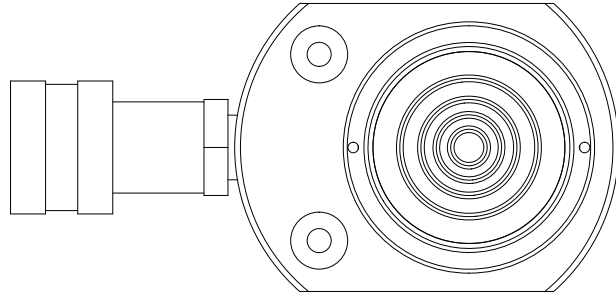


2

1

B

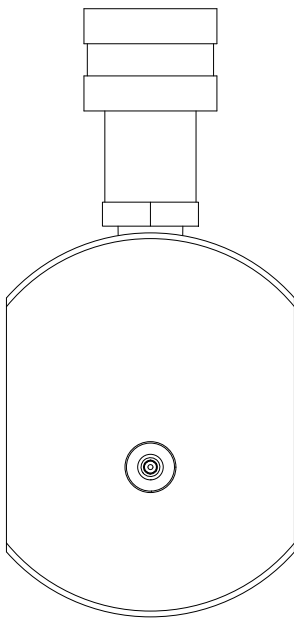
B



RETRACTED 2.11 IN
EXTENDED 2.61 IN

A

A



2

1

THIS DRAWING IS THE PROPERTY OF RAM-PAC INT'L AND IS NOT
TO BE USED IN ANY MANNER DETRIMENTAL TO THEIR INTEREST

RAM-PAC, INT'L.
15600 W. LINCOLN AVE.
NEW BERLIN, WI 53151

TITLE: 20 TON .5 IN STROKE CYL

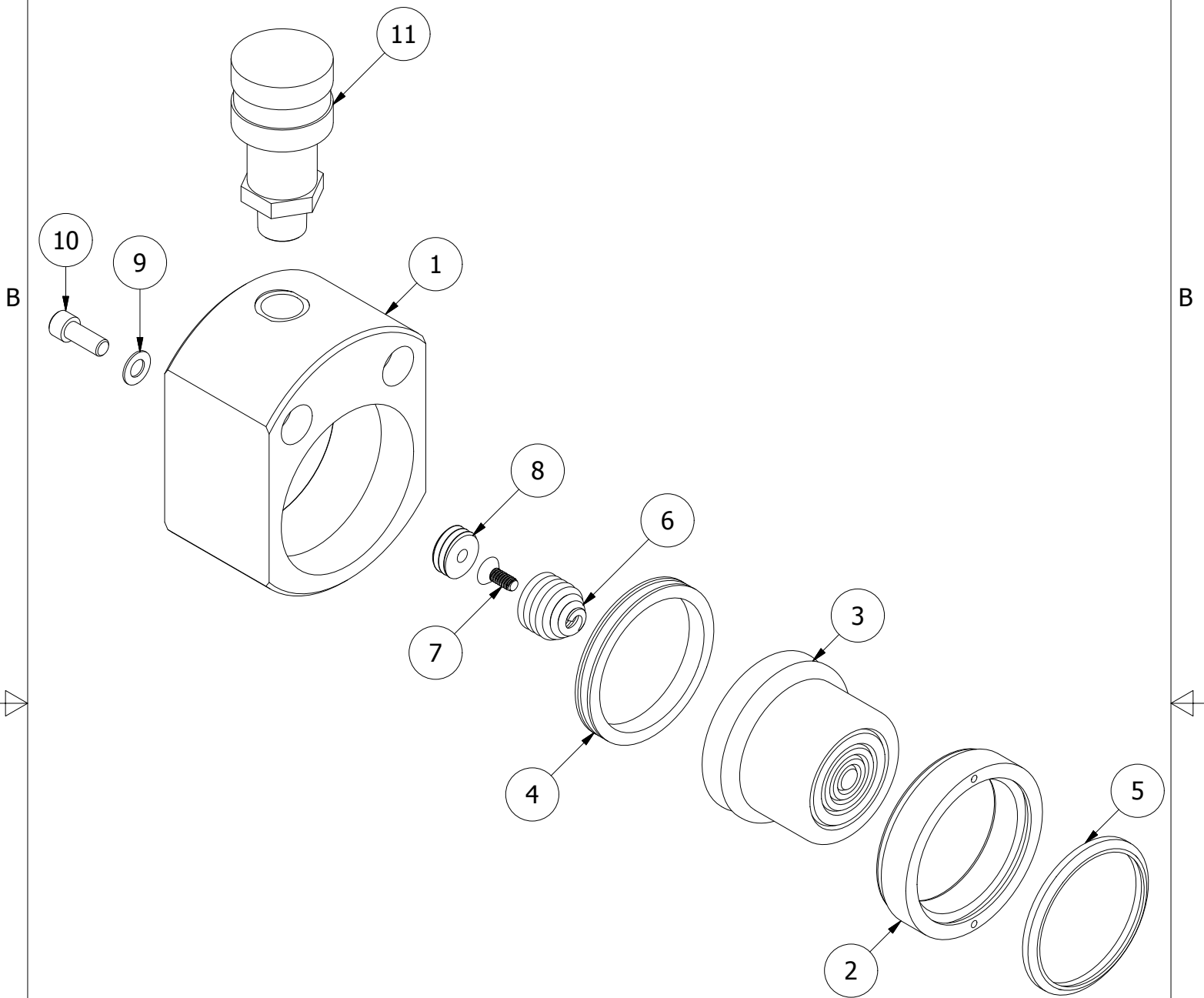
REVISION: -

EST WT: **6.5 LBS**

2



1



REBUILD KIT: X7803

RC-20-LP-.5 Parts List

ITEM	QTY	PART NUMBER	DESCRIPTION
1	1	X-7750	CYLINDER HOUSING
2	1	X-7747	GLAND NUT 20 TON
3	1	X-9141	PLUNGER
4	1	X-6437-2	G.T. RING (PISTION TYPE)
5	1	X-6907-3	WIPER RINGS
6	1	X-9128	SPRING
7	1	2220474	FHCS 10-24 X .50
8	1	X-9129	SPRING RETAINER
9	1	X-7415-8	COPPER GASKET
10	1	8261-9102	SHCS 1/4 - 20 X .625
11	1	HA-18	COUPLER W/ DUST COVER

2



1

A

A