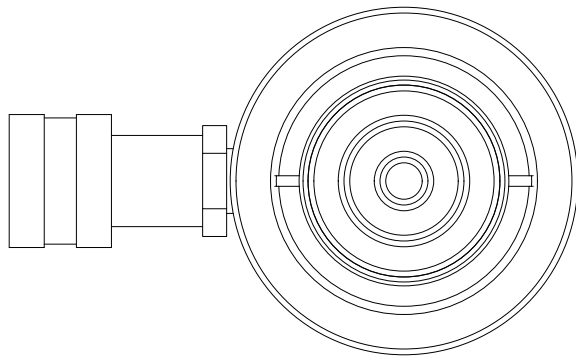


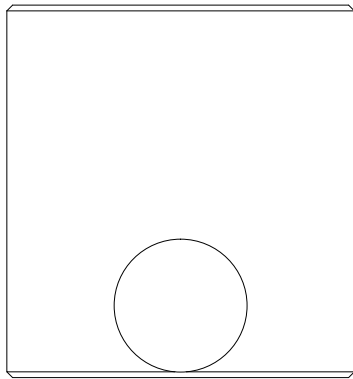
2

1



B

B

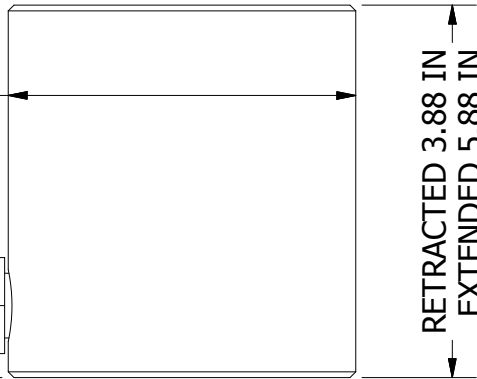
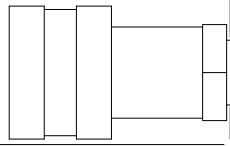


Ø2.00
ROD

Ø3.62
HOUSING

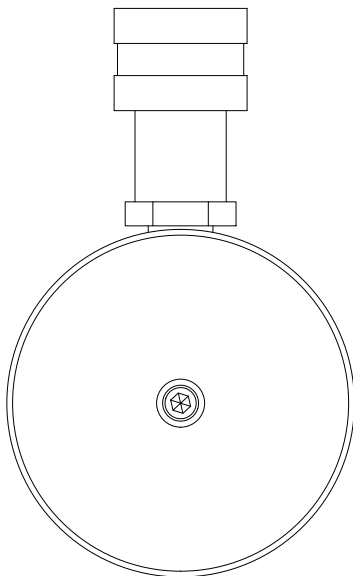
.75

RETRACTED 3.88 IN
EXTENDED 5.88 IN



A

A



2

1

THIS DRAWING IS THE PROPERTY OF RAM-PAC INT'L AND IS NOT TO BE USED IN ANY MANNER DETRIMENTAL TO THEIR INTEREST

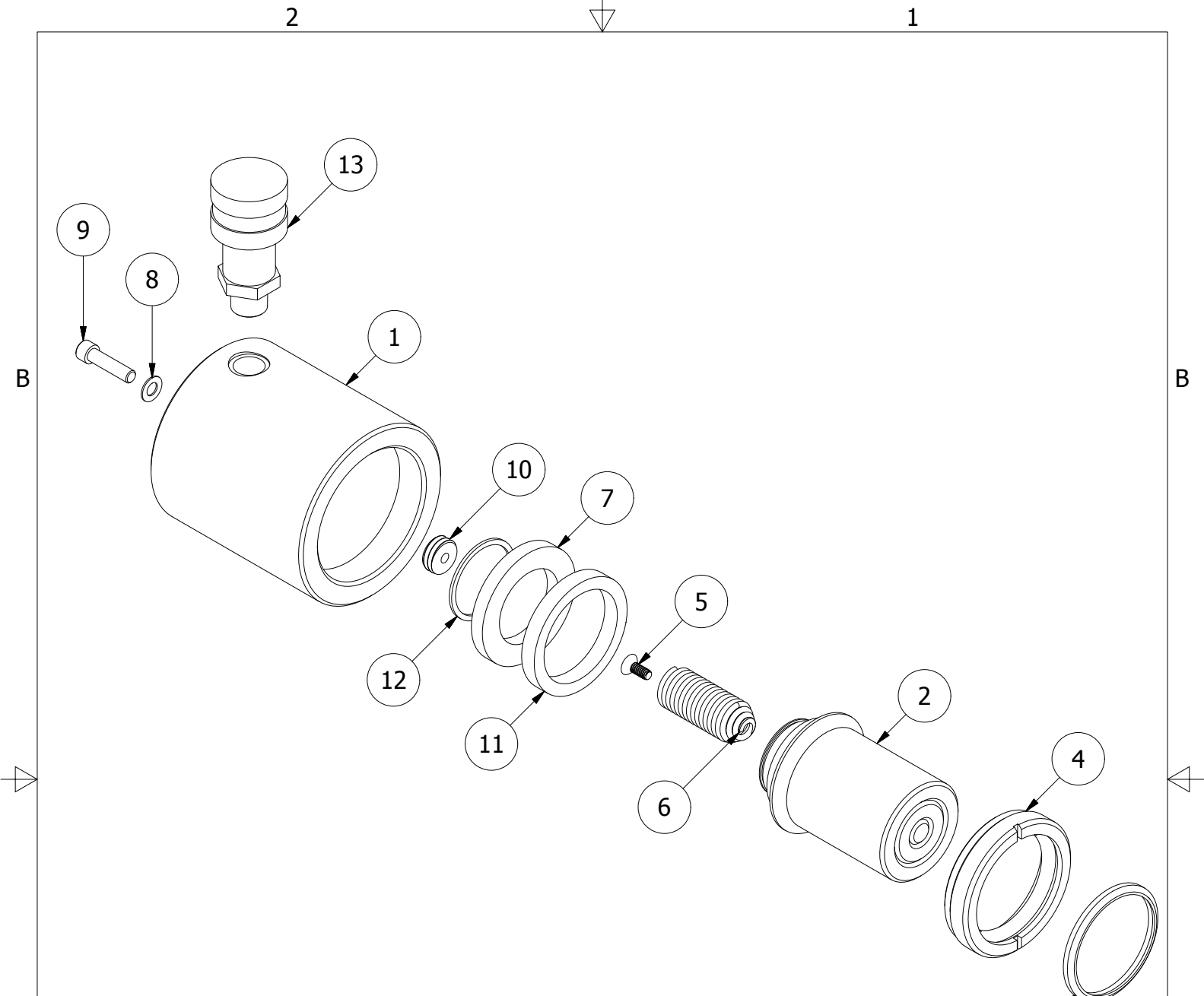
RAM-PAC, INT'L.
15600 W. LINCOLN AVE.
NEW BERLIN, WI 53151

TITLE: 20 TON 2 IN STROKE CYL

REVISION: -

EST WT: **11 LBS**

1



REBUILD KIT: X8338

RC-20-SA-2 Parts List

ITEM	QTY	PART NUMBER	DESCRIPTION
1	1	X-9140	RAM BODY (20 TONS)
2	1	X-9138	20 TON PLUNGER
3	1	X-6907-3	WIPER RINGS
4	1	X-8186-S-2	GLAND NUT
5	1	2220474	FHCS 10-24 X .50
6	1	X-9137	EXTENSION SPRING
7	1	X-9139	BEARING
8	1	X-7415-8	COPPER GASKET
9	1	2220551	SHCS 1/4 - 20 X 1.00
10	1	X-9129	SPRING RETAINER
11	1	X-7011-1	U-CUP
12	1	H-5535	SNAP RING
13	1	HA-18	COUPLER W/ DUST COVER