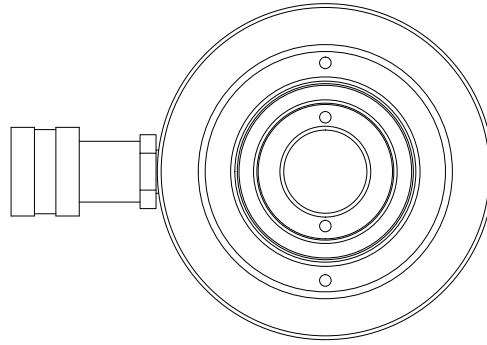


2

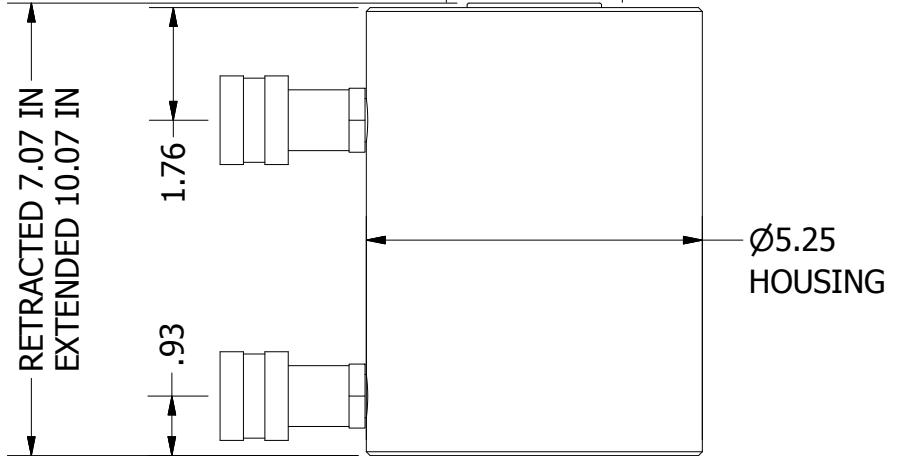
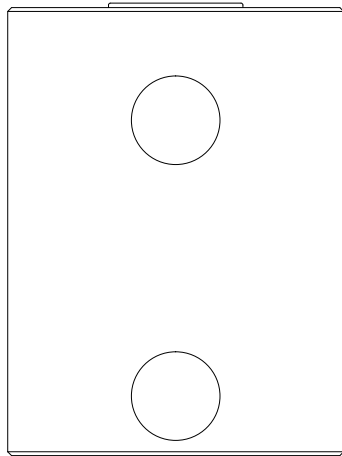
1

B

B

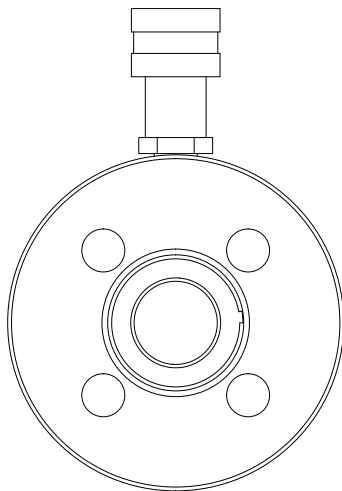


Ø2.75  
ROD



A

A



2

1

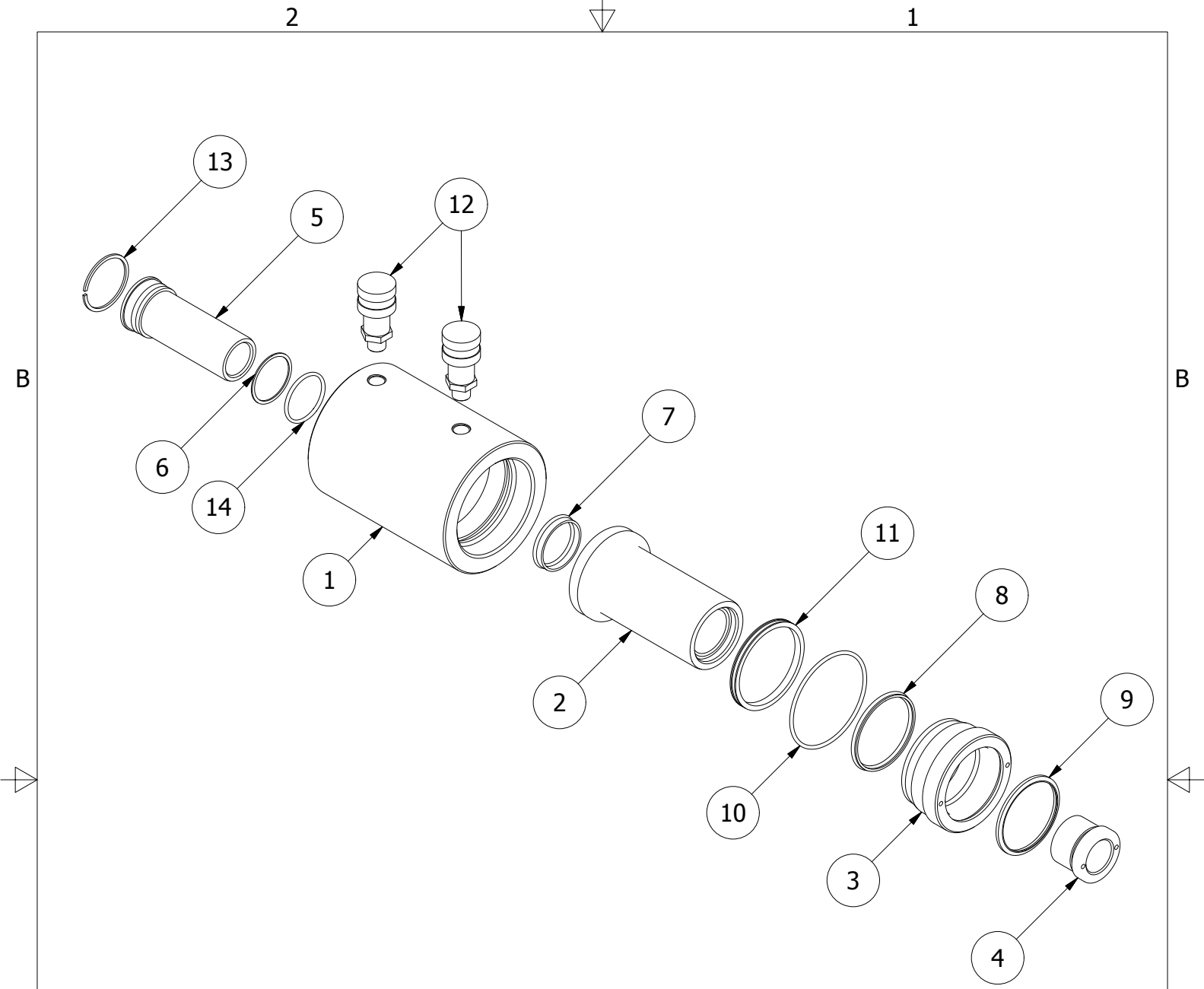
THIS DRAWING IS THE PROPERTY OF RAM-PAC INT'L AND IS NOT  
TO BE USED IN ANY MANNER DETRIMENTAL TO THEIR INTEREST

**RAM-PAC, INT'L.**  
15600 W. LINCOLN AVE.  
NEW BERLIN, WI 53151

**TITLE: 30 TON 3 IN STRK CNTR HL**

**REVISION: -**

**EST WT: 38 LBS**



REBUILD KIT: X7996

ITEM	QTY	PART NUMBER	DESCRIPTION
1	1	X-7986	CYL HOUSING 30 TON CH
2	1	X-7987	PLUNGER
3	1	X-7988	GLAND NUT
4	1	X-7973	PLAIN TOP, 30 TON CH
5	1	X-7970	CENTER POST 30 TON
6	1	X-7878-4	BACK-UP RINGS
7	1	X-7011-14	U-CUP
8	1	X-7011-15	U-CUP
9	1	X-6907-4	WIPER RINGS
10	1	X-6477-45	O-RING 3.875 X 3.609 X .139 CS
11	1	X-6437-21	G.T. RING (PISTION TYPE)
12	2	HA-18	COUPLER W/ DUST COVER
13	1	H-5565	RETAINING RING
14	1	2190024	O-RING