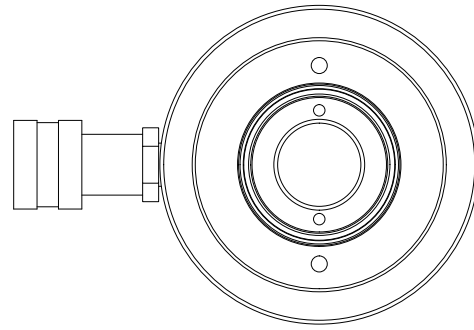


2

1

B

B

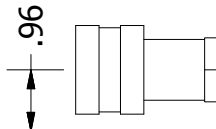


← Ø2.38 →
ROD



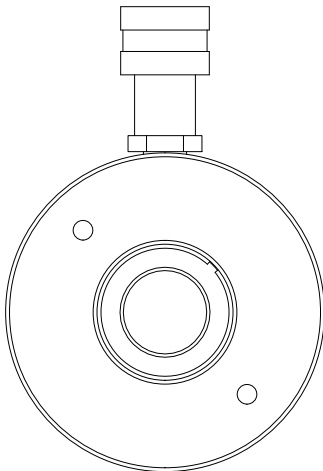
← Ø4.98 →
HOUSING

↑ RETRACTED 10.67 IN
↓ EXTENDED 16.67 IN



A

A



2

1

THIS DRAWING IS THE PROPERTY OF RAM-PAC INT'L AND IS NOT TO BE USED IN ANY MANNER DETRIMENTAL TO THEIR INTEREST

RAM-PAC, INT'L.
15600 W. LINCOLN AVE.
NEW BERLIN, WI 53151

TITLE: 30 TON 6 IN STRK CNTR HL

REVISION: -

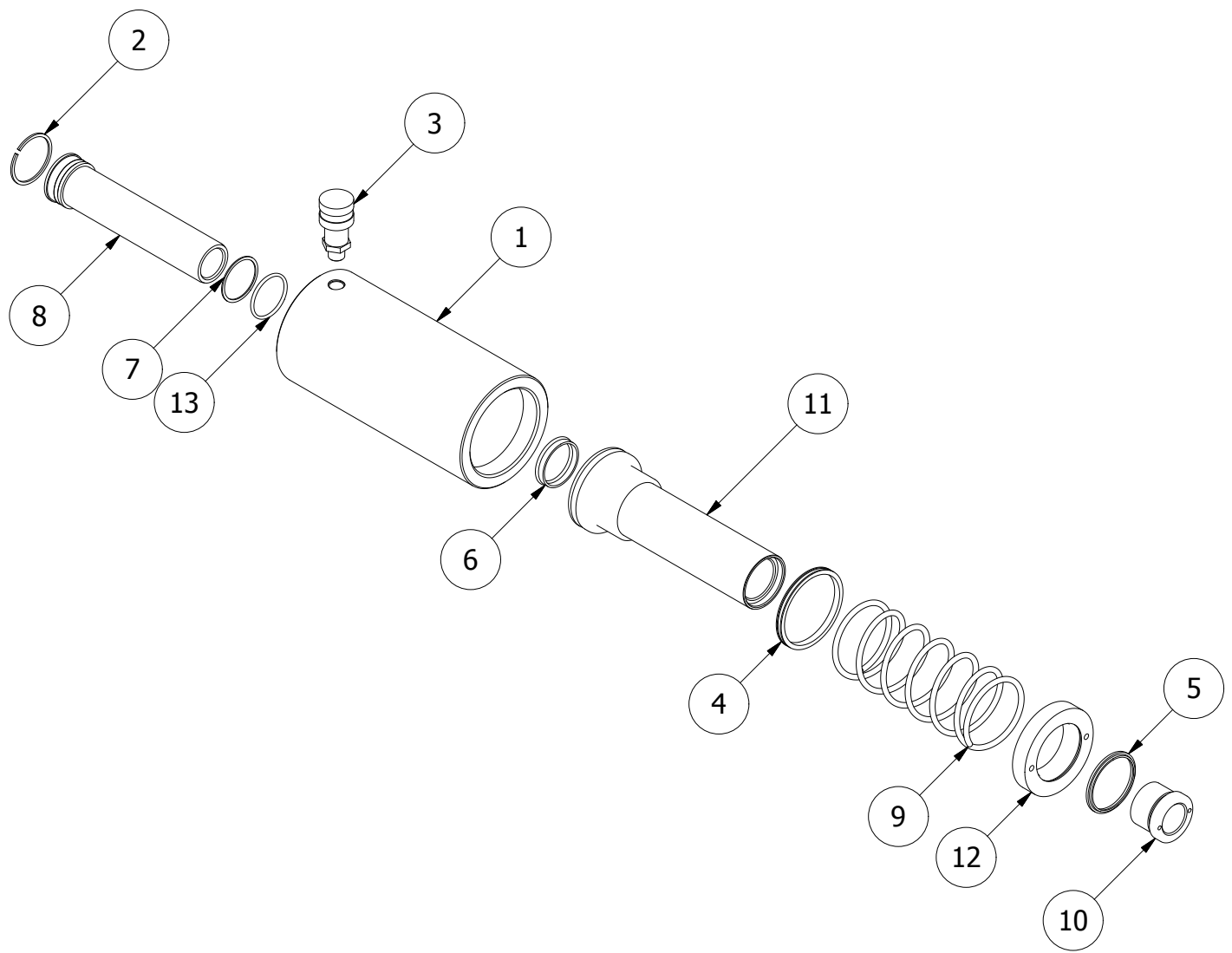
EST WT: 44 LBS

2

1

B

B



REBUILD KIT: X7983

ITEM	QTY	PART NUMBER	DESCRIPTION
1	1	X-8178-6	RAM BODY, 30 TON S.A.
2	1	H-5565	RETAINING RING
3	1	HA-18	COUPLER W/ DUST COVER
4	1	X-6437-21	G.T. RING (PISTION TYPE)
5	1	X6907-15	WIPER 2.375
6	1	X-7011-14	U-CUP
7	1	X-7878-4	BACK-UP RINGS
8	1	X-7970-6	CENTER POST
9	1	X-7972-1	RETURN SPRING
10	1	X-7973	PLAIN TOP, 30 TON CH
11	1	X-8179-6	PLUNGER
12	1	X-8180	GLAND NUT
13	1	2190024	O-RING

A

A

2

1