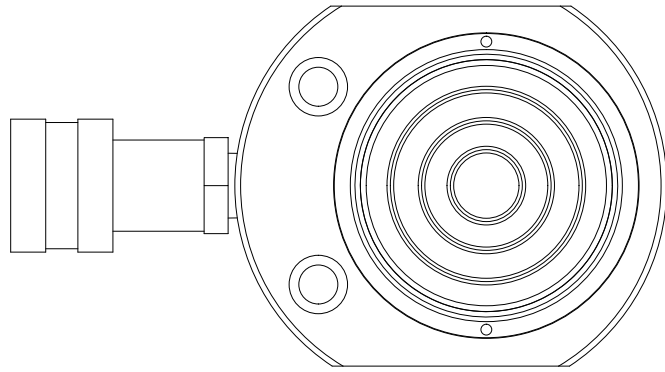


2

1

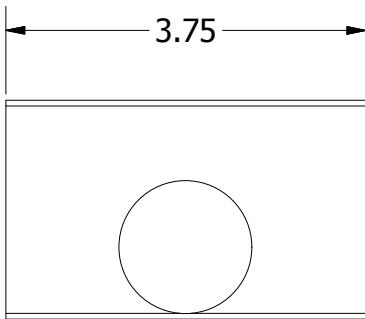
B

B

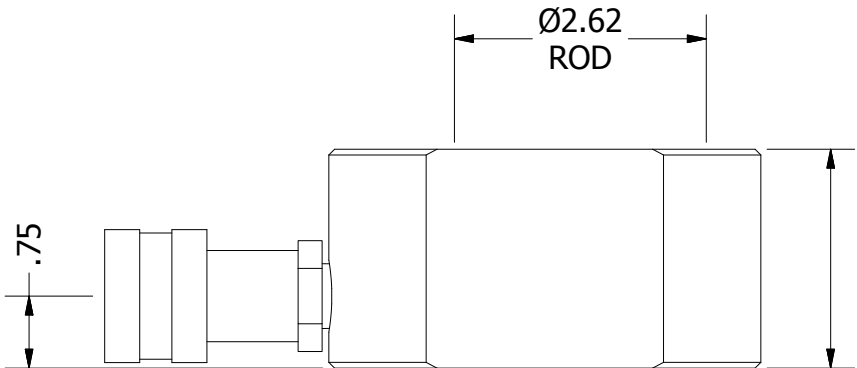


A

A



3.75



Ø2.62
ROD

.75

RETRACTED 2.28 IN
EXTENDED 2.78 IN

A

A

2

1

THIS DRAWING IS THE PROPERTY OF RAM-PAC INT'L AND IS NOT TO BE USED IN ANY MANNER DETRIMENTAL TO THEIR INTEREST

RAM-PAC, INT'L.
15600 W. LINCOLN AVE.
NEW BERLIN, WI 53151

TITLE: 30 TON .5 IN STROKE CYL

REVISION: -

EST WT: 9.25

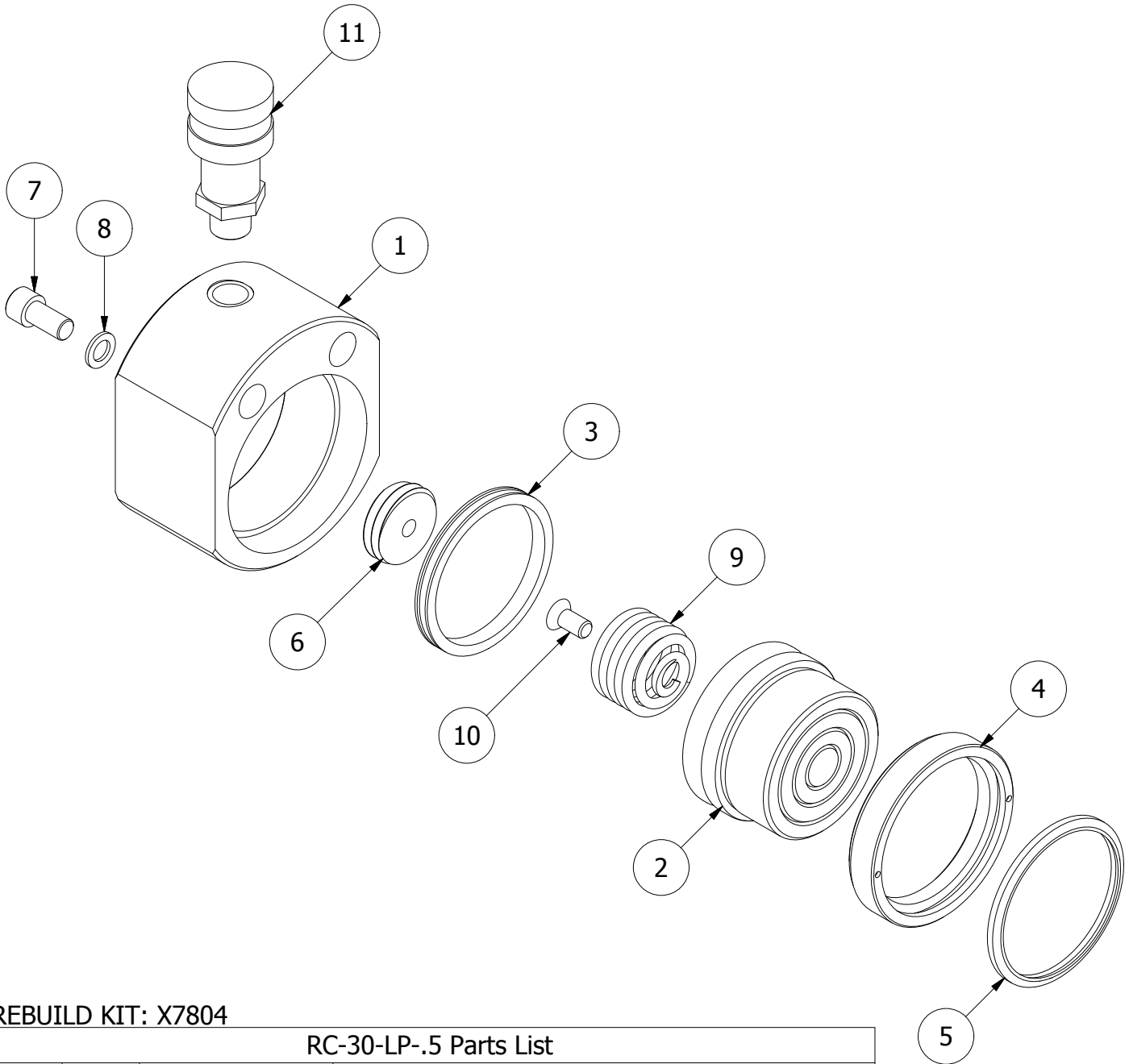
2



1

B

B



REBUILD KIT: X7804

RC-30-LP-.5 Parts List

ITEM	QTY	PART NUMBER	DESCRIPTION
1	1	X-7734	RAM BODY
2	1	X-9147	RAM PLUNGER
3	1	X-6437-3	G.T. RING (PISTION TYPE)
4	1	X-7737	GLAND NUT
5	1	X-6907-8	WIPER RINGS
6	1	X-9142	SPRING RETAINER
7	1	2220237	SHCS 3/8-16 X 3/4
8	1	X-7415-12	COPPER GASKET
9	1	X-9146	RETURN SPRING 30T
10	1	2220544	SHCS .31-18 .50 FLAT
11	1	HA-18	COUPLER W/ DUST COVER

2



1

A

A