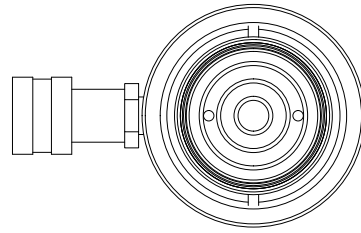


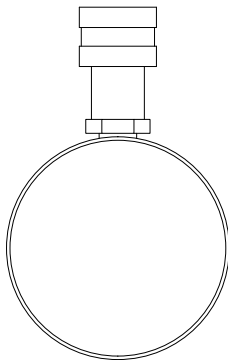
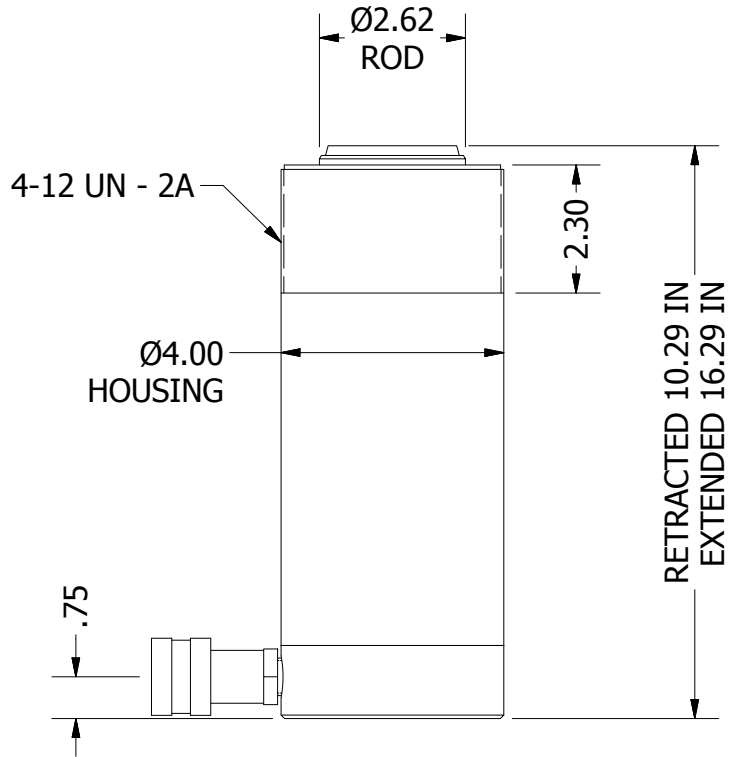
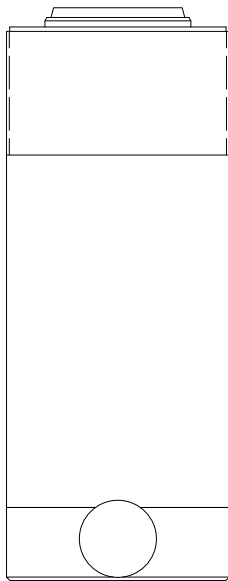
2

1



B

B



A

A

2

1

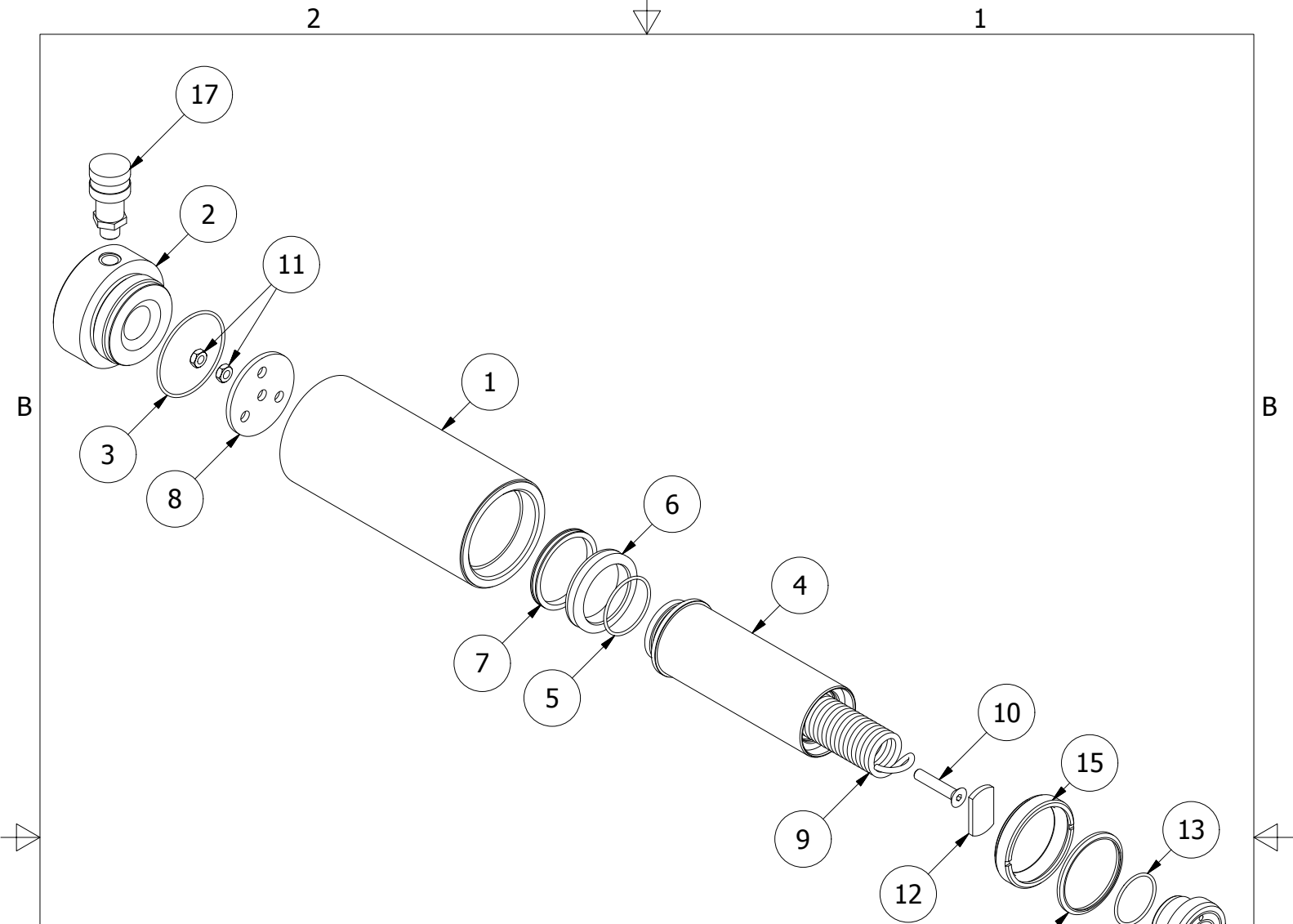
THIS DRAWING IS THE PROPERTY OF RAM-PAC INT'L AND IS NOT TO BE USED IN ANY MANNER DETRIMENTAL TO THEIR INTEREST

RAM-PAC, INT'L.
15600 W. LINCOLN AVE.
NEW BERLIN, WI 53151

TITLE: 30 TON 6 IN STROKE CYL

REVISION: -

EST WT: **31 LBS**



REBUILD KIT: X7002

RC-30-SA-6T Parts List

ITEM	QTY	PART NUMBER	DESCRIPTION
1	1	X-8209	CYLINDER
2	1	X-6452	RAM CYLINDER BASE
3	1	X-6477-18	O-RING
4	1	X-8208-1	PLUNGER
5	1	X-6477-20	O-RING
6	1	X-6678-3	BRONZE WEAR RING
7	1	X-6437-3	G.T. RING (PISTION TYPE)
8	1	X-6449-2	RETURN SPRING PLATE
9	1	X-6456	RETURN SPRING
10	1	2220655	FLAT HEAD SCREW
11	2	2350057	JAM NUT
12	1	X-6443-3	SPRING ANCHOR PLATE
13	1	X-6477-22	O-RING
14	1	X-8210	RAM PLUNGER HEAD
15	1	X-8186-3	GLAND NUT
16	1	X-6907-8	WIPER RINGS
17	1	HA-18	COUPLER W/ DUST COVER