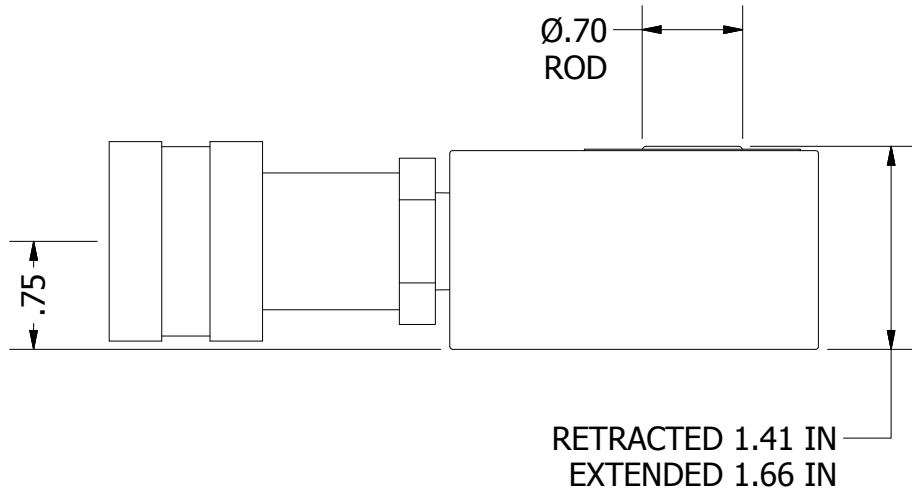
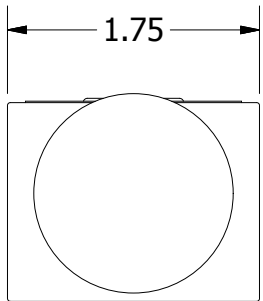
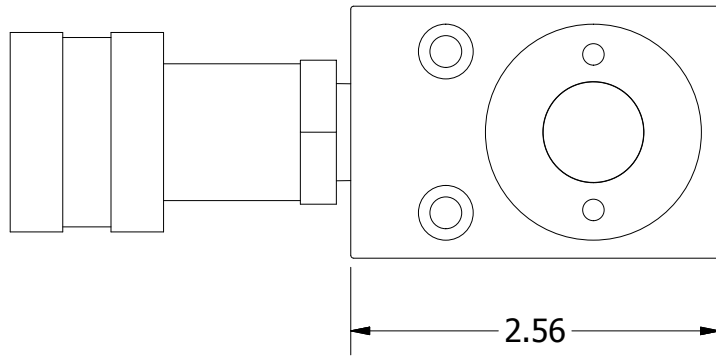


2

1

B

B



A

A

2

1

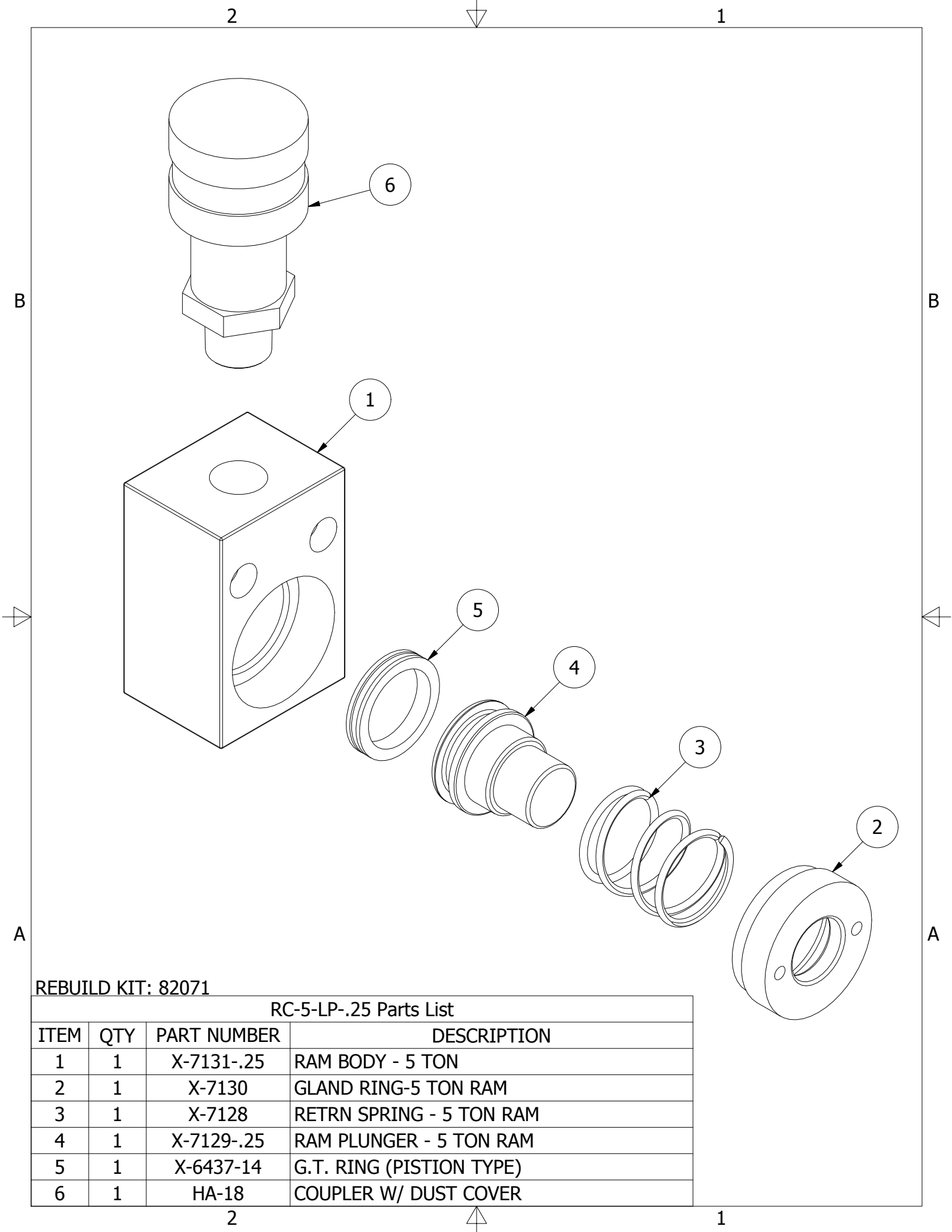
THIS DRAWING IS THE PROPERTY OF RAM-PAC INT'L AND IS NOT TO BE USED IN ANY MANNER DETRIMENTAL TO THEIR INTEREST

RAM-PAC, INT'L.
15600 W. LINCOLN AVE.
NEW BERLIN, WI 53151

TITLE: 5 TON .25 IN STROKE CYL

REVISION: -

EST WT: **2.3 LBS**



REBUILD KIT: 82071

RC-5-LP-.25 Parts List

ITEM	QTY	PART NUMBER	DESCRIPTION
1	1	X-7131-.25	RAM BODY - 5 TON
2	1	X-7130	GLAND RING-5 TON RAM
3	1	X-7128	RETRN SPRING - 5 TON RAM
4	1	X-7129-.25	RAM PLUNGER - 5 TON RAM
5	1	X-6437-14	G.T. RING (PISTION TYPE)
6	1	HA-18	COUPLER W/ DUST COVER