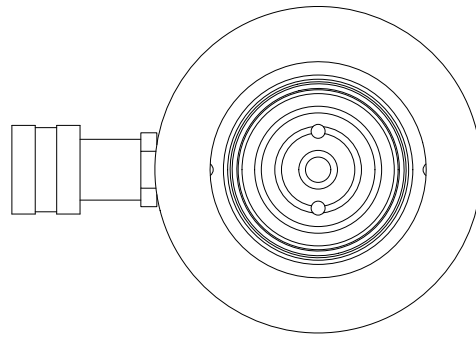


2

1

B

B



Ø2.75  
ROD

5-12 UN - 2A

RETRACTED 12.20 IN  
EXTENDED 17.20 IN

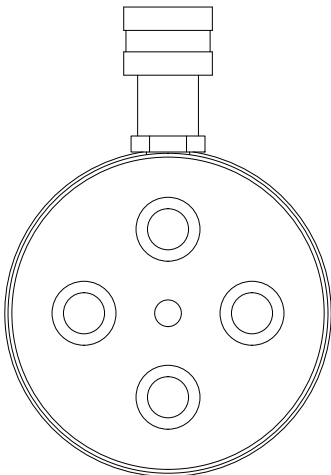
2.38

Ø5.00  
HOUSING

2.25

A

A



2

1

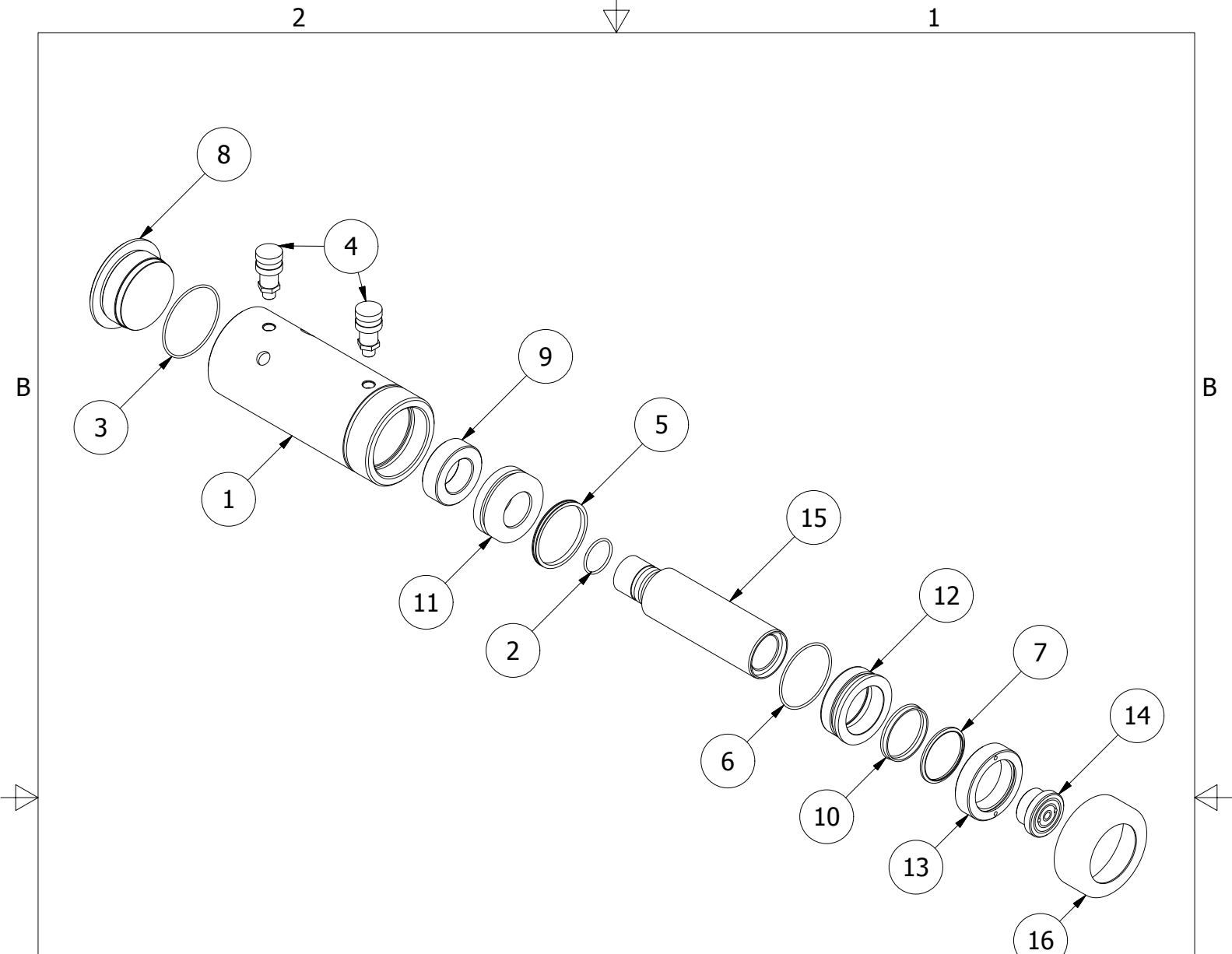
THIS DRAWING IS THE PROPERTY OF RAM-PAC INT'L AND IS NOT TO BE USED IN ANY MANNER DETRIMENTAL TO THEIR INTEREST

**RAM-PAC, INT'L.**  
15600 W. LINCOLN AVE.  
NEW BERLIN, WI 53151

**TITLE: 50 TON 5 IN STROKE CYL**

**REVISION: -**

**EST WT: 61 LBS**



REBUILD KIT: X7070-A

ITEM	QTY	PART NUMBER	DESCRIPTION
1	1	X-6940-1	RAM CYLINDER
2	1	2190024	O-RING
3	1	2190054	O-RING 4.12 X 3.87 X .128 70D
4	2	HA-18	COUPLER W/ DUST COVER
5	1	X-6437-4	G.T. RING (PISTION TYPE)
6	1	X-6477-29	O-RING 3.75 X 3.50 X .125 70D
7	1	X-6907-4	WIPER RINGS
8	1	X-6939	RAM BASE
9	1	X-6943	RETAINING NUT
10	1	X-7011-5	U-CUP
11	1	X-7072	PLUNGER GUIDE RING
12	1	X-7073	GLAND RING
13	1	X-8168	GLAND NUT
14	1	X8170	PLUNGER TOP
15	1	X-8174-1	RAM PLUNGER
16	1	X-9393	THREAD PROTECTOR