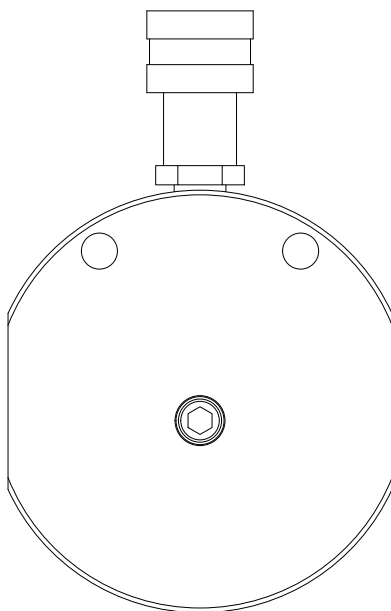
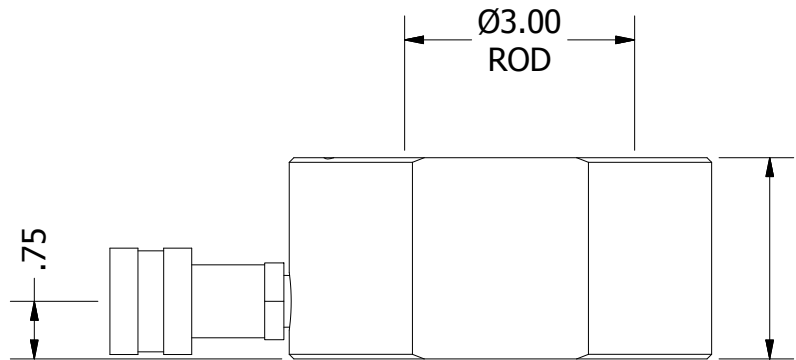
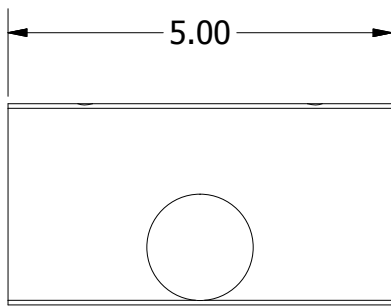
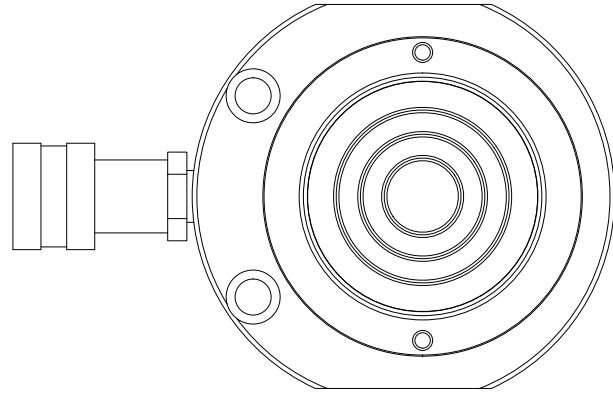


2

1

B

B



A

A

2

1

THIS DRAWING IS THE PROPERTY OF RAM-PAC INT'L AND IS NOT TO BE USED IN ANY MANNER DETRIMENTAL TO THEIR INTEREST

RAM-PAC, INT'L.
 15600 W. LINCOLN AVE.
 NEW BERLIN, WI 53151

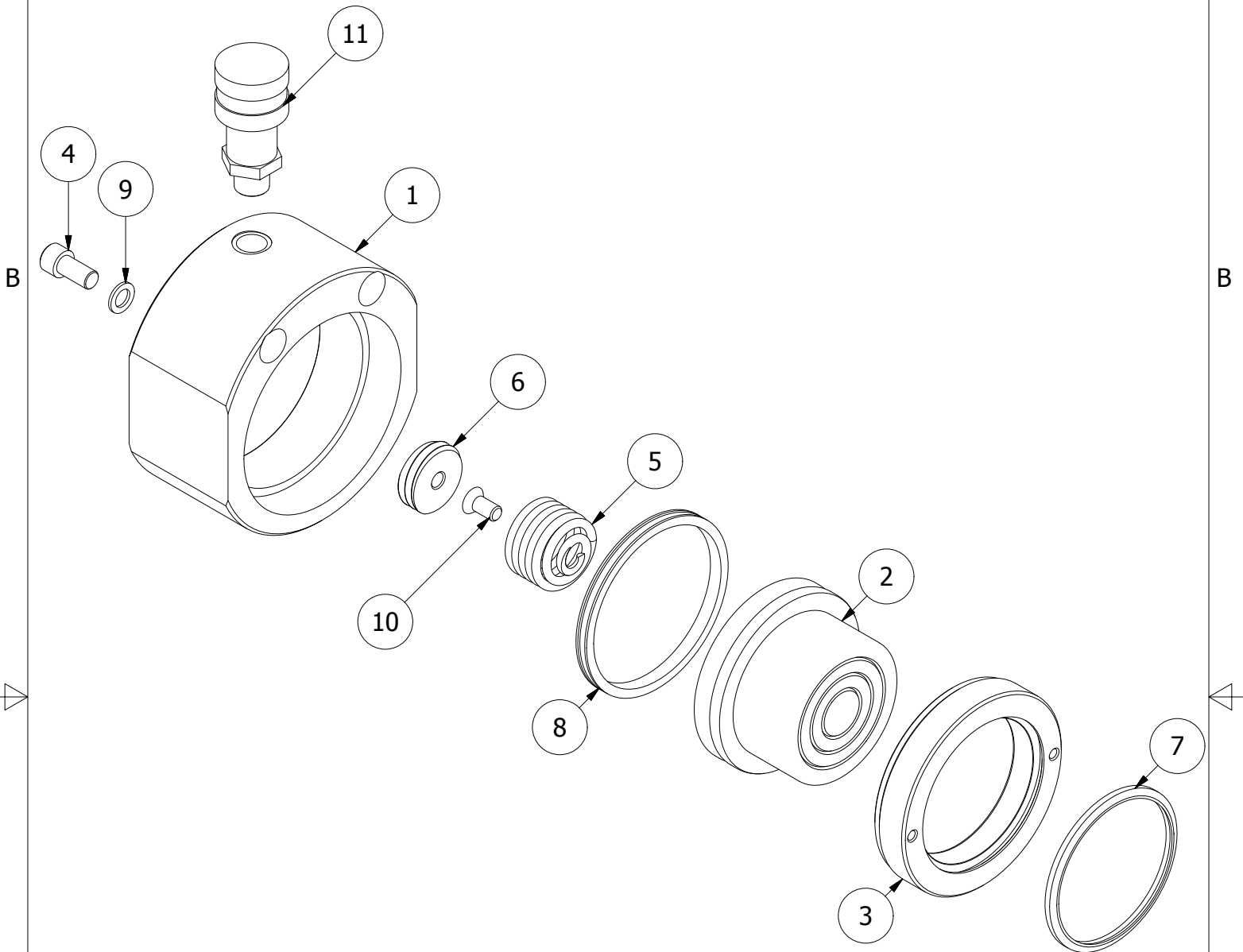
TITLE: 50 TON .5 IN STROKE CYL

REVISION: -

EST WT: 16 LBS

2

1



REBUILD KIT: X7805

RC-50-LP-.5 Parts List

ITEM	QTY	PART NUMBER	DESCRIPTION
1	1	X-7740	RAM BODY
2	1	X-9151	RAM PLUNGER
3	1	X-7741	GLAND NUT
4	1	X-9131-1	SHCS
5	1	X-9146	RETURN SPRING 30T
6	1	X-9142	SPRING RETAINER
7	1	X-6907-19	WIPER RINGS
8	1	X-6437-4	G.T. RING (PISTION TYPE)
9	1	X-7415-12	COPPER GASKET
10	1	2220544	SHCS .31-18 .50 FLAT
11	1	HA-18	COUPLER W/ DUST COVER

2

1