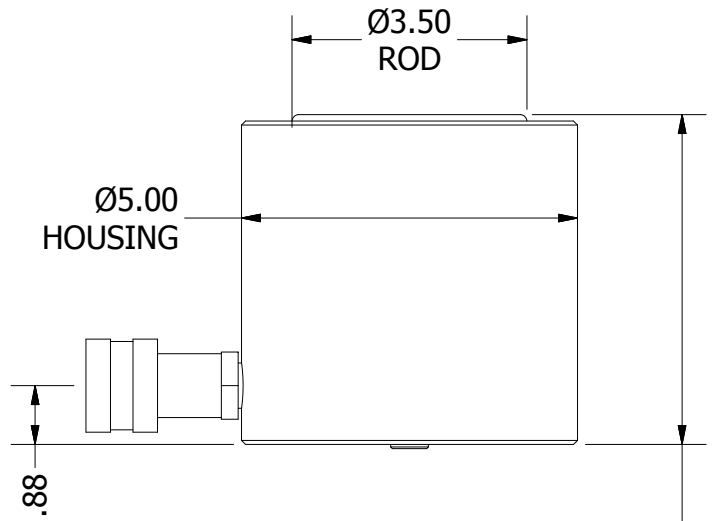
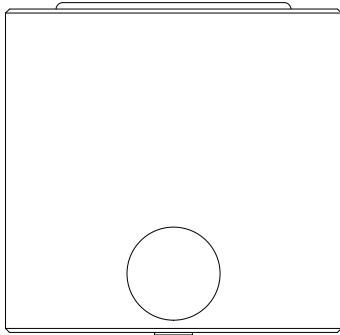
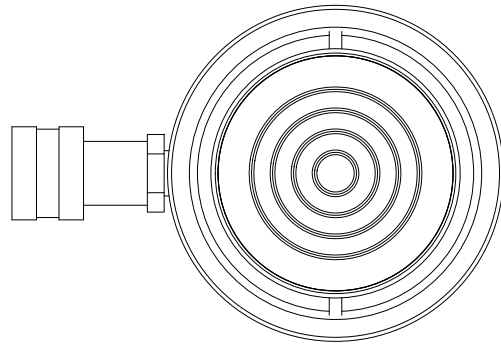


2

1

B

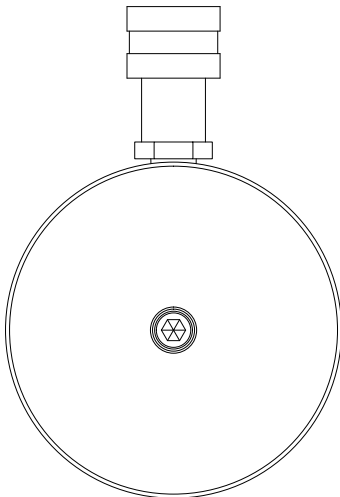
B



RETRACTED 4.91 IN
EXTENDED 7.04 IN

A

A



2

1

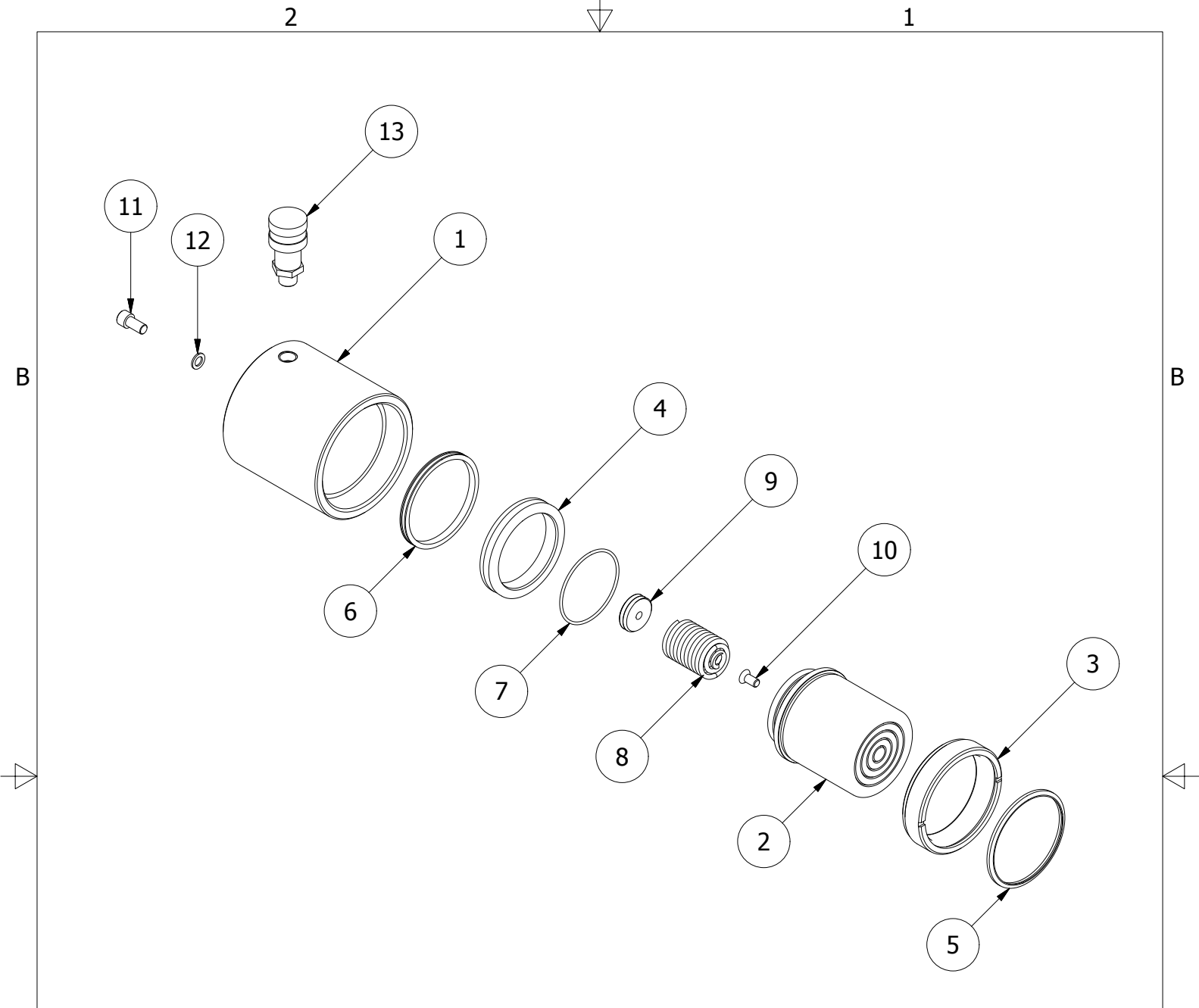
THIS DRAWING IS THE PROPERTY OF RAM-PAC INT'L AND IS NOT TO BE USED IN ANY MANNER DETRIMENTAL TO THEIR INTEREST

RAM-PAC, INT'L.
15600 W. LINCOLN AVE.
NEW BERLIN, WI 53151

TITLE: 50 TON 2.125 IN STROKE

REVISION: -

EST WT: 26 LBS



REBUILD KIT: X6978

ITEM	QTY	PART NUMBER	DESCRIPTION
1	1	X-8214-S	RAM BODY
2	1	X-8215	RAM PLUNGER
3	1	X-8186-4	GLAND NUT
4	1	X-6678-4	BRONZE WEAR RING
5	1	X-6907-6	WIPER RINGS
6	1	X-6437-4	G.T. RING (PISTION TYPE)
7	1	X-6477-21	O-RING 3.00 X 2.80 X .103 90D
8	1	X-9044	SPRING
9	1	X-9142	SPRING RETAINER
10	1	2220544	SHCS .31-18 .50 FLAT
11	1	2220237	SHCS 3/8-16 X 3/4
12	1	X-7415-12	COPPER GASKET
13	1	HA-18	COUPLER W/ DUST COVER