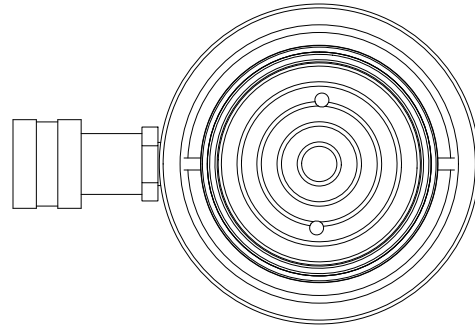


2

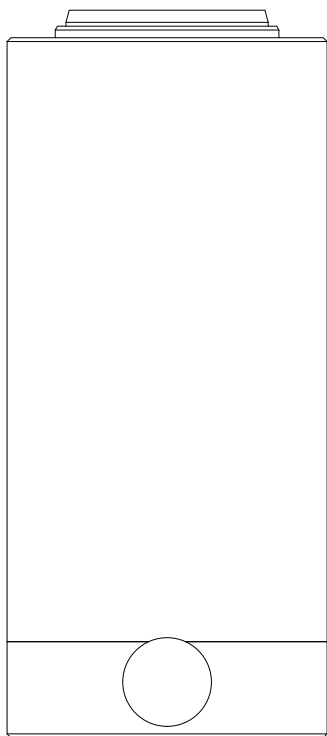
1

B

B



Ø3.50
ROD



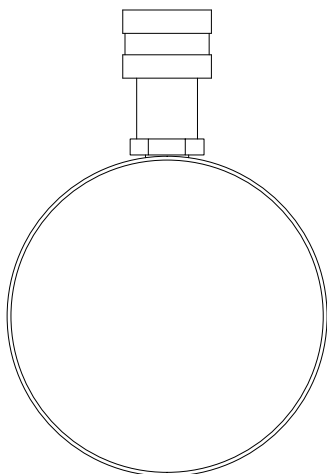
Ø5.00
HOUSING

RETRACTED 11.37 IN
EXTENDED 17.37 IN

.87

A

A



2

1

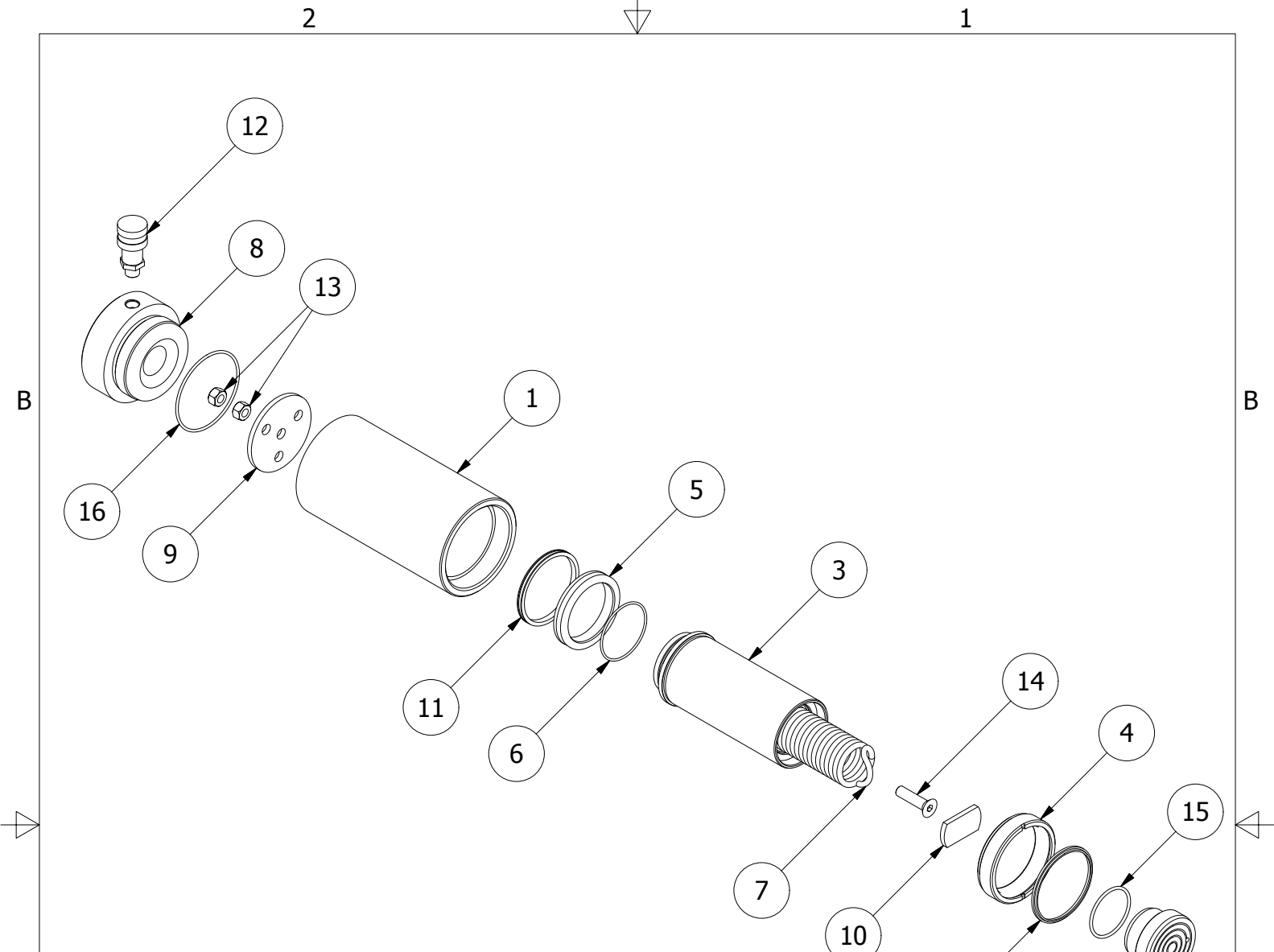
THIS DRAWING IS THE PROPERTY OF RAM-PAC INT'L AND IS NOT TO BE USED IN ANY MANNER DETRIMENTAL TO THEIR INTEREST

RAM-PAC, INT'L.
15600 W. LINCOLN AVE.
NEW BERLIN, WI 53151

TITLE: 50 TON 6 IN STROKE CYL

REVISION: -

EST WT: 54 LBS



REBUILD KIT: X7003

ITEM	QTY	PART NUMBER	DESCRIPTION
1	1	X-8216	RAM CYLINDER
2	1	X-8218	PLUNGER HEAD
3	1	X-8217-1	PLUNGER
4	1	X-8186-4	GLAND NUT
5	1	X-6678-4	BRONZE WEAR RING
6	1	X-6477-21	O-RING 3.00 X 2.80 X .103 90D
7	1	X-6465	SPRING
8	1	X-6460-2	CYLINDER BASE
9	1	X-6449-3	RETURN SPRING PLATE
10	1	X-6443-4	SPRING ANCHOR PLATE
11	1	X-6437-4	G.T. RING (PISTION TYPE)
12	1	HA-18	COUPLER W/ DUST COVER
13	2	2350036	JAM NUT
14	1	2220667	FT HD MACHINE SCREW 1/2-13 X 2.00
15	1	2190113	O-RING 2.625 X 2.359 X .139 70D
16	1	2190054	O-RING 4.12 X 3.87 X .128 70D
17	1	2180158	WIPER 959-33 3.50 3.87.119