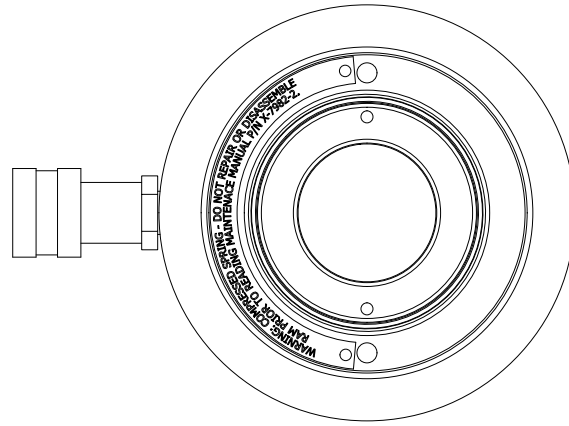


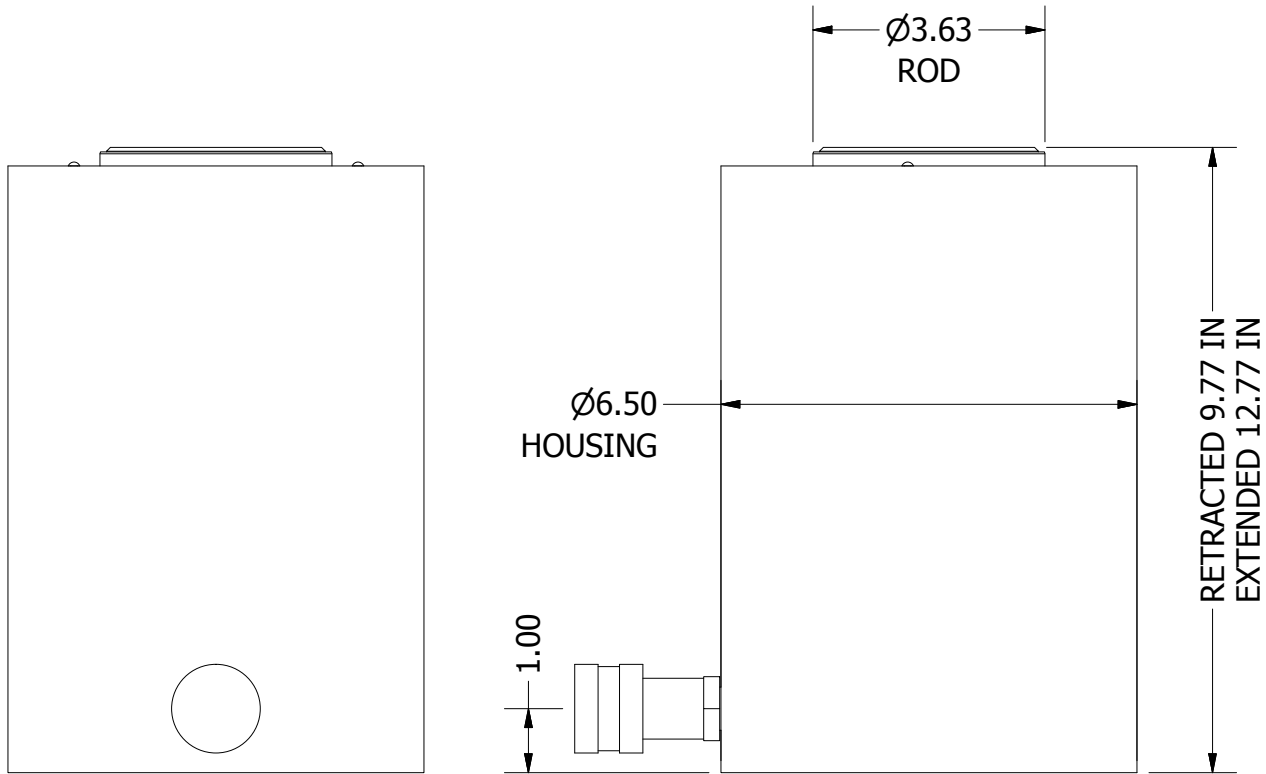
2

1



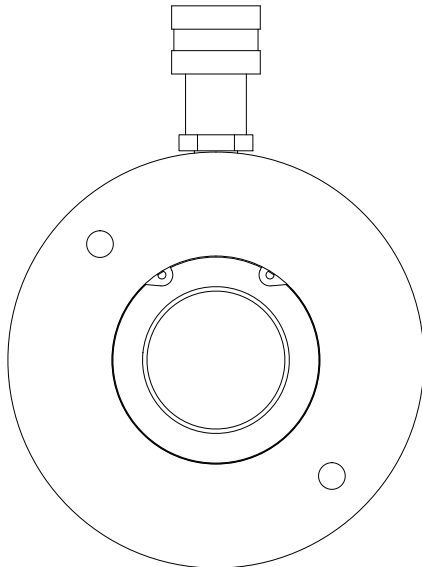
B

B



A

A



2

1

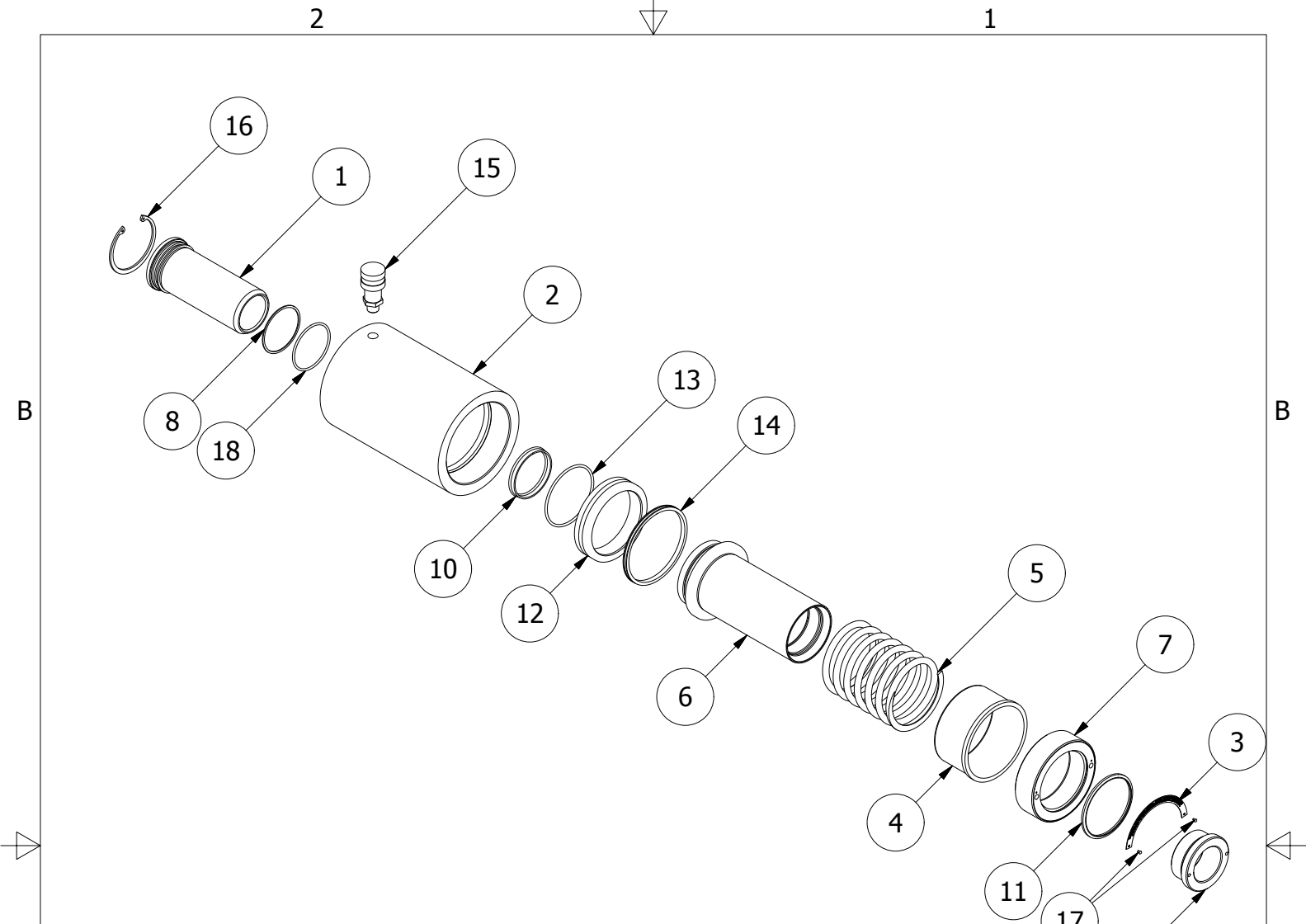
THIS DRAWING IS THE PROPERTY OF RAM-PAC INT'L AND IS NOT TO BE USED IN ANY MANNER DETRIMENTAL TO THEIR INTEREST

RAM-PAC, INT'L.
15600 W. LINCOLN AVE.
NEW BERLIN, WI 53151

TITLE: 60 TON 3 IN STRK CNTR HL

REVISION: -

EST WT: 69 LBS



REBUILD KIT: X8138

ITEM	QTY	PART NUMBER	DESCRIPTION
1	1	X-7840	CENTER TUBE
2	1	X-8133	RAM BODY
3	1	X-8157	WARNING PLATE
4	1	X-8142	SPRING SLEEVE
5	1	X-8141	SPRING
6	1	X-8140	PLUNGER
7	1	X-8134	GLAND NUT
8	1	X-7878-2	BACK-UP RINGS
9	1	X-7844	SMOOTH HOLLOW TOP
10	1	X-7011-5	U-CUP
11	1	X-6907-5	WIPER RINGS
12	1	X-6678-11	BRONZE WEAR RING
13	1	X-6477-53	O-RING
14	1	X-6437-19	G.T. RING (PISTION TYPE)
15	1	HA-18	COUPLER W/ DUST COVER
16	1	H-5560	RETAINING RING
17	2	H-2861-P	RIVET #2 3/16 RD T-U
18	1	2190087	ORING