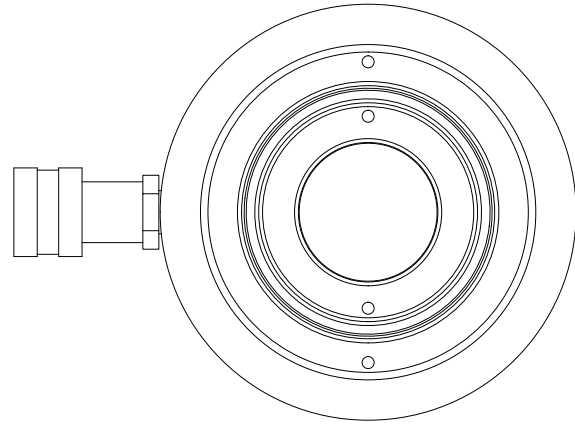


2

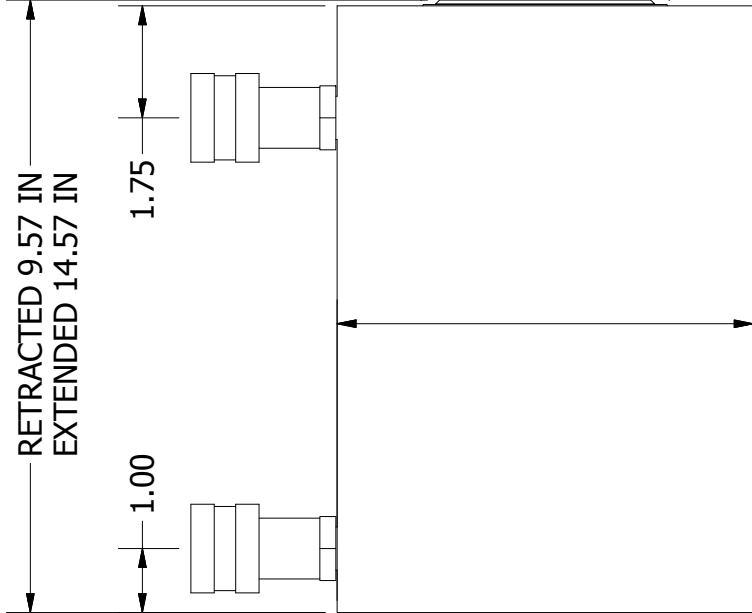
1

B

B



Ø3.88
ROD



RETRACTED 9.57 IN
EXTENDED 14.57 IN

1.75

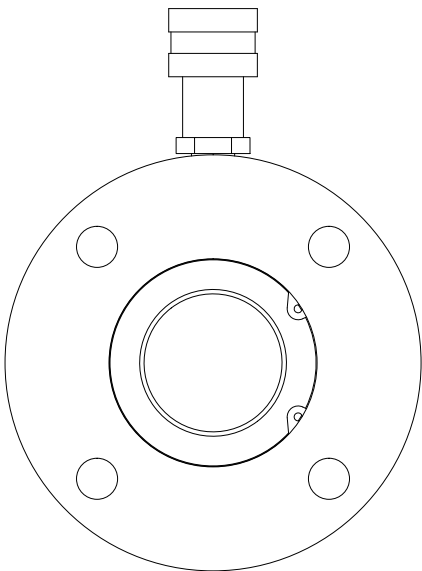
1.00

Ø6.50
HOUSING



A

A



2

1

THIS DRAWING IS THE PROPERTY OF RAM-PAC INT'L AND IS NOT
TO BE USED IN ANY MANNER DETRIMENTAL TO THEIR INTEREST

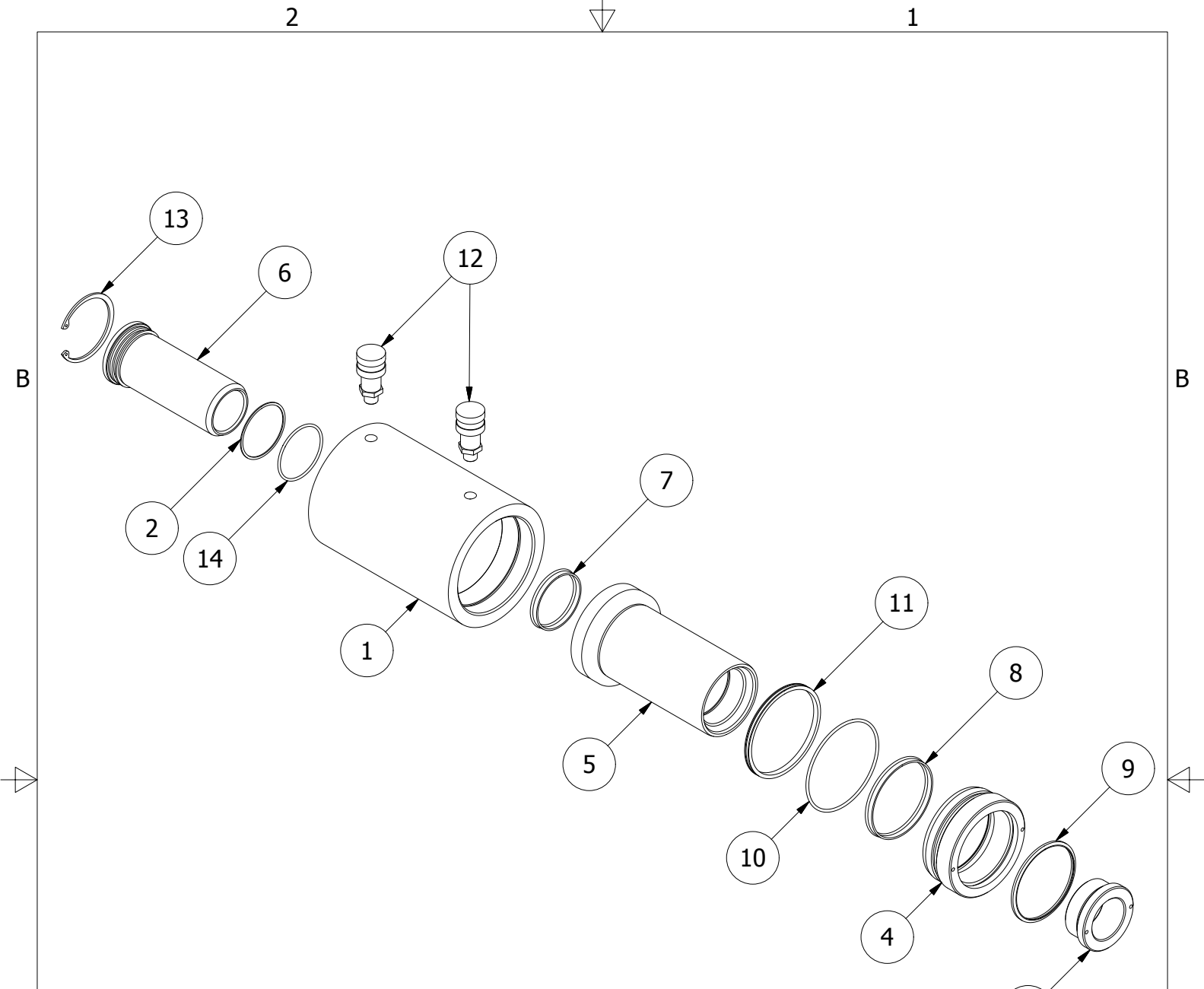
RAM-PAC, INT'L.
15600 W. LINCOLN AVE.
NEW BERLIN, WI 53151

TITLE: 60 TON 5 IN STRK CNTR HL

REVISION: -

EST WT: 71 LBS





REBUILD KIT: X7966

ITEM	QTY	PART NUMBER	DESCRIPTION
1	1	X7839-A	CYLINDER
2	1	X-7878-2	BACK-UP RINGS
3	1	X-7844	SMOOTH HOLLOW TOP
4	1	X-7843	GLAND
5	1	X-7842	PLUNGER
6	1	X-7840	CENTER TUBE
7	1	X-7011-5	U-CUP
8	1	X-7011-10	U-CUP
9	1	X-6907-11	WIPER RINGS
10	1	X-6477-71	O-RING 4.887 X 4.609 X .139
11	1	X-6437-19	G.T. RING (PISTION TYPE)
12	2	HA-18	COUPLER W/ DUST COVER
13	1	H-5560	RETAINING RING
14	1	2190087	ORING