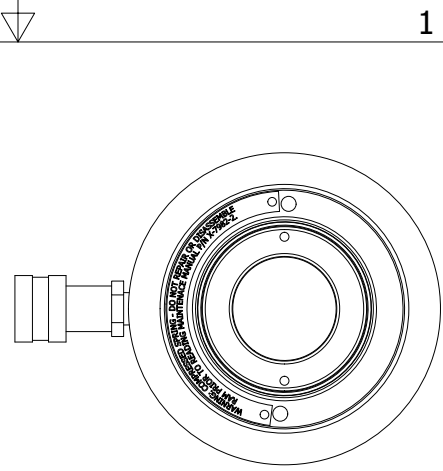


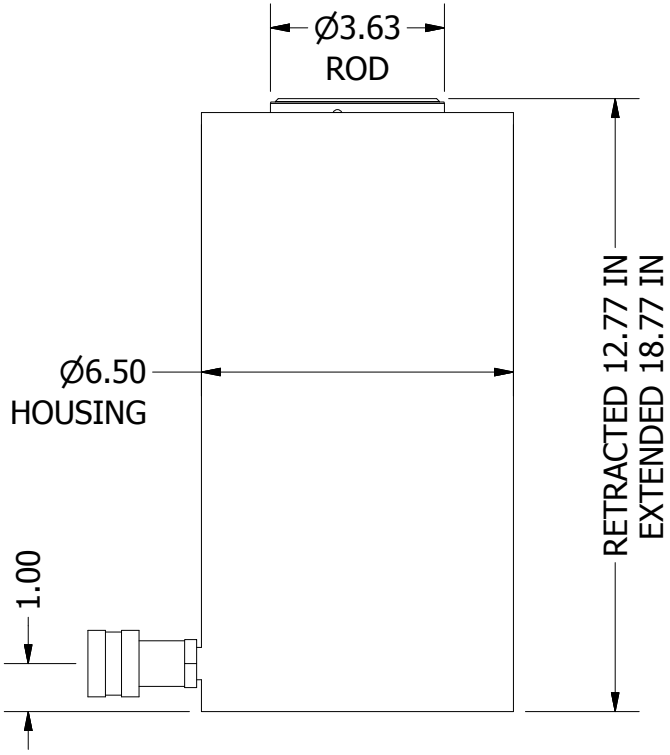
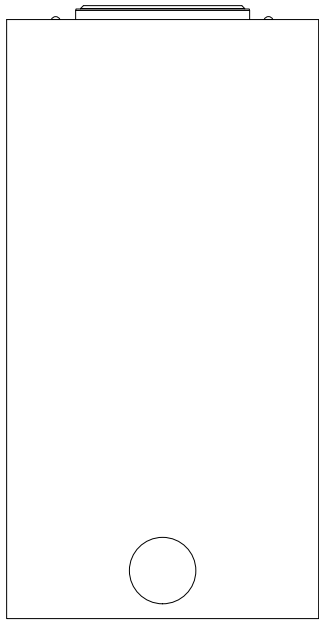
2

1



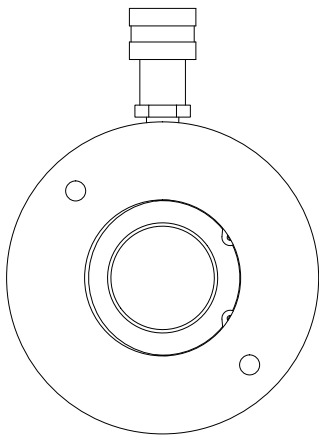
B

B



A

A



2

1

THIS DRAWING IS THE PROPERTY OF RAM-PAC INT'L AND IS NOT TO BE USED IN ANY MANNER DETRIMENTAL TO THEIR INTEREST

RAM-PAC, INT'L.
15600 W. LINCOLN AVE.
NEW BERLIN, WI 53151

TITLE: 60 TON 6 IN STRK CNTR HL

REVISION: -

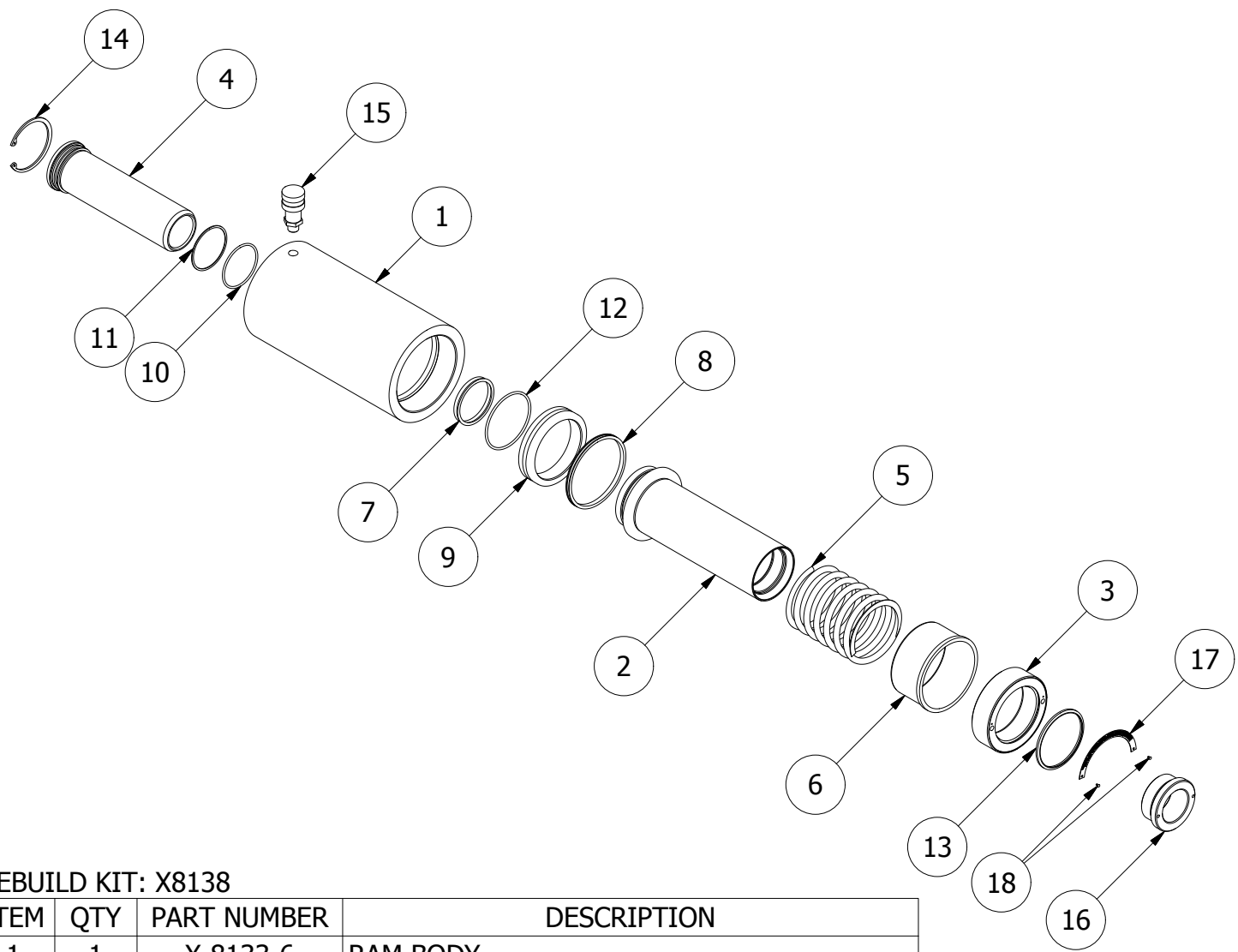
EST WT: 82 LBS

2

1

B

B



REBUILD KIT: X8138

ITEM	QTY	PART NUMBER	DESCRIPTION
1	1	X-8133-6	RAM BODY
2	1	X-8140-6	PLUNGER
3	1	X-8134	GLAND NUT
4	1	X-7840-6	CENTER TUBE
5	1	X-8141	SPRING
6	1	X-8142	SPRING SLEEVE
7	1	X-7011-5	U-CUP
8	1	X-6437-19	G.T. RING (PISTION TYPE)
9	1	X-6678-11	BRONZE WEAR RING
10	1	2190087	ORING
11	1	X-7878-2	BACK-UP RINGS
12	1	X-6477-53	O-RING
13	1	X-6907-5	WIPER RINGS
14	1	H-5560	RETAINING RING
15	1	HA-18	COUPLER W/ DUST COVER
16	1	X-7844	SMOOTH HOLLOW TOP
17	1	X-8157	WARNING PLATE
18	2	H-2861-P	RIVET #2 3/16 RD T-U

A

A

2

1