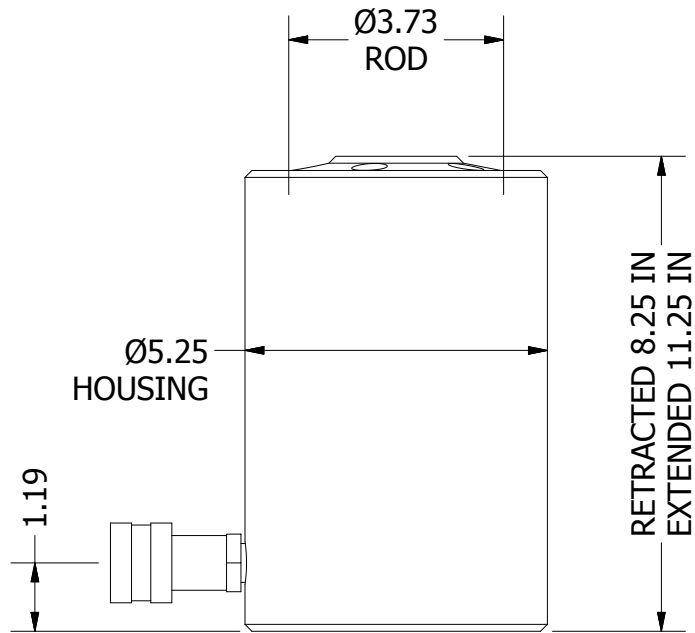
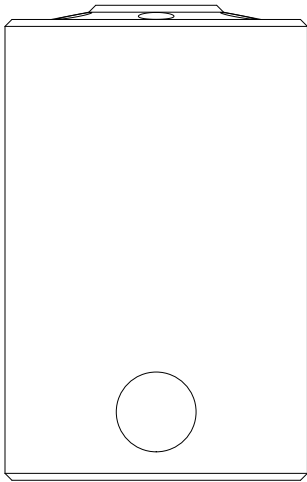
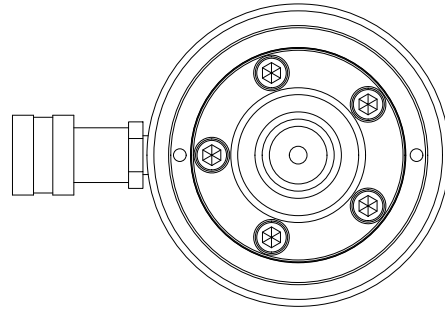


2

1

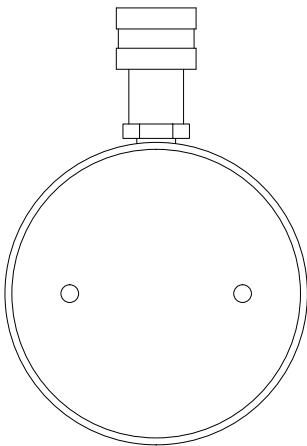
B

B



A

A



2

1

THIS DRAWING IS THE PROPERTY OF RAM-PAC INT'L AND IS NOT TO BE USED IN ANY MANNER DETRIMENTAL TO THEIR INTEREST

RAM-PAC, INT'L.
 15600 W. LINCOLN AVE.
 NEW BERLIN, WI 53151

TITLE: 60 TON 3 IN STROKE CYL

REVISION: -

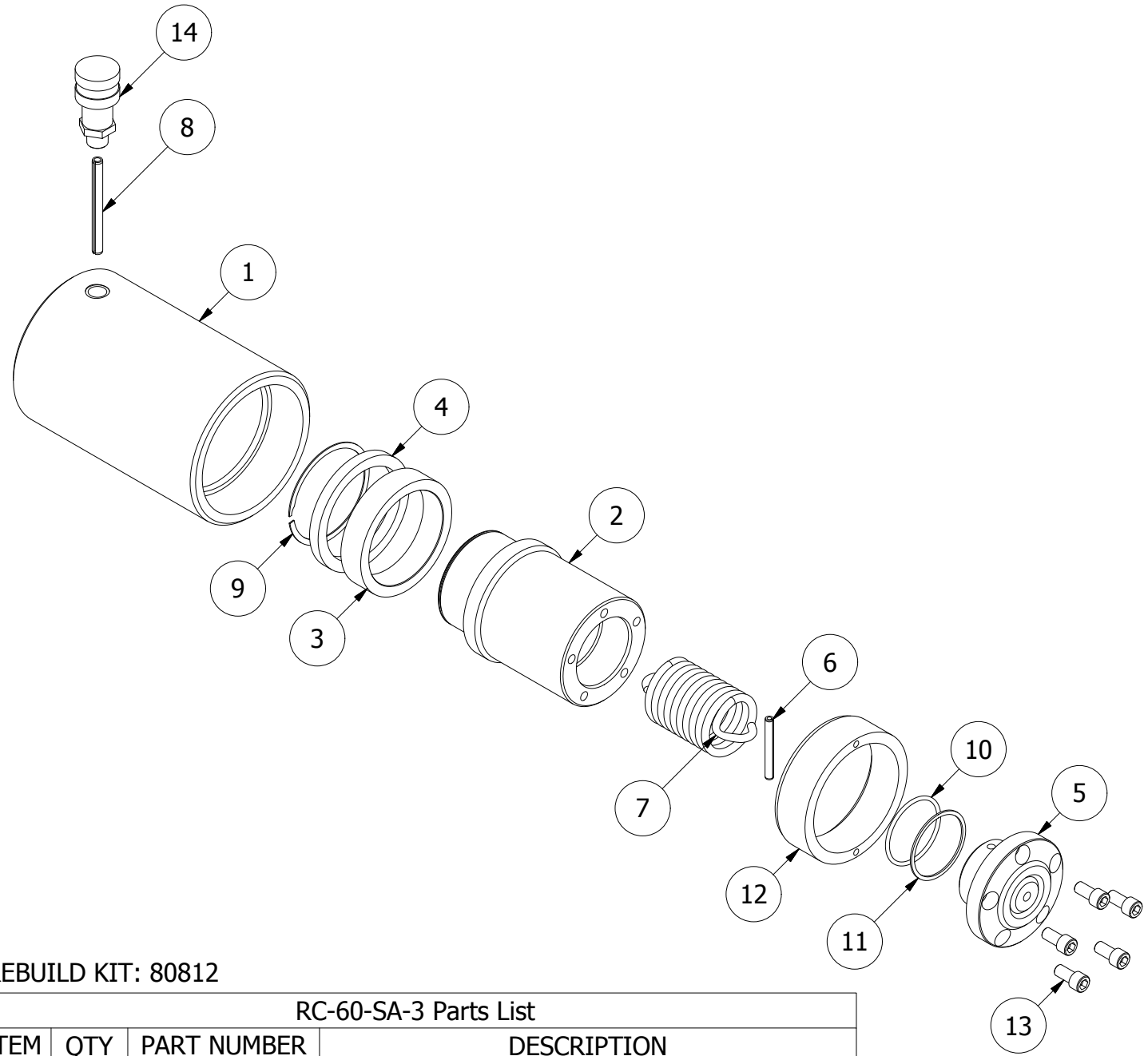
EST WT: 42 LBS

2

1

B

B



REBUILD KIT: 80812

RC-60-SA-3 Parts List

ITEM	QTY	PART NUMBER	DESCRIPTION
1	1	1657-1305	CYLINDER
2	1	1657-1501	PLUNGER
3	1	1657-4501	BEARING
4	1	7135-0560	U-CUP
5	1	1657-3700	RAM HEAD
6	1	7908-5095	PIN
7	1	X-9012	EXTENSION SPRING
8	1	2460064	PIN
9	1	7730-3250	RETAINING RING
10	1	7522-7170	O-RING
11	1	7314-1430	BACK-UP WASHER
12	1	1657-2200	PLUNGER GUIDE
13	5	2220237	SHCS 3/8-16 X 3/4
14	1	HA-18	COUPLER W/ DUST COVER

A

A

2

1